

Television Téléviseur

Reference Guide

US

Manuel de référence

FR



Sony Customer Support

U.S.A.:

<http://www.sony.com/tvsupport>

Canada:

<http://www.sony.ca/support>

United States

Canada

1.800.222.SONY

1.877.899.SONY

Please Do Not Return the Product to the Store

Service à la clientèle Sony

Canada :

<http://www.sony.ca/support>

États-Unis :

<http://www.sony.com/tvsupport>

Canada

États-Unis

1.877.899.SONY

1.800.222.SONY

Ne retournez pas le produit au magasin

BRAVIA

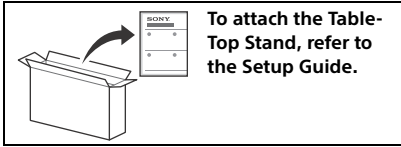


Table of Contents

- IMPORTANT NOTICE 2
- Safety Information 3
- Precautions 5
- Parts and Controls 7
 - Controls and Indicators 7
- Using Remote Control 8
 - Remote Control Parts Description 8
- Connection Diagram 10
- Installing the TV to the Wall 13
 - Detaching the Table-Top Stand from the TV. 14
- Installing the TV against a wall or enclosed area 17
- Troubleshooting 18
 - Troubles and Solutions 18
- Specifications 19

Introduction

Thank you for choosing this Sony product. Before operating the TV, please read this manual thoroughly and retain it for future reference.

Note

- Images and illustrations used in the Setup Guide and this manual are for reference only and may differ from the actual product.

The 75" class has a 74.5 inch (189.3 cm) viewable image size, the 65" class has a 64.5 inch (163.9 cm) viewable image size, the 55" class has a 54.6 inch (138.8 cm) viewable image size, the 49" class has a 48.5 inch (123.2 cm) viewable image size and the 43" class has a 42.5 inch (108.0 cm) viewable image size (measured diagonally).

Help

Find more troubleshooting and other useful information directly from your TV. Press **HELP** on the remote control to display a list of topics, or to search by keyword.

Help Guide (Manual)

For more detailed information, select [Help Guide] from the Help menu on your TV. You can also check the Help Guide from your PC or smartphone (information provided on the back cover of this manual).

Location of the identification label

Labels for the TV Model No. and Power Supply rating are located on the rear of the TV. For models with supplied AC adapter: Labels for AC adapter Model No. and Serial No. are located at the bottom of AC adapter.

IMPORTANT NOTICE

Owner's Record

The model and serial numbers are located at the side and/or rear of the TV. Record these numbers in the spaces provided below. Refer to them whenever you call upon your Sony dealer regarding this TV.

Model Name _____

Serial No. _____

CAUTION

To prevent electric shock and blade exposure, do not use this AC plug with an extension cord, receptacle or other outlet unless the blades can be fully inserted.

- Operate the TV only on 110 V - 240 V AC (U.S.A./Canada 120 V AC) (except models with supplied AC adapter).
- Operate the TV only on DC 19.5 V (with AC adapter).

Note

This television includes a QAM demodulator which should allow you to receive unscrambled digital cable television programming via subscription service to a cable service provider. Availability of digital cable television programming in your area depends on the type of programming and signal provided by your cable service provider.

Safety Information

Supplier's Declaration of Conformity

Trade Name: SONY
Model: XBR-75X800G / XBR-65X800G / XBR-55X800G / XBR-49X800G / XBR-43X800G
Responsible Party: Sony Electronics Inc.
Address: 16535 Via Esprillo,
San Diego, CA 92127 U.S.A.
Telephone Number: 858-942-2230

FCC Related Information

This equipment has been tested and found to comply with the limits for a Class B digital device, pursuant to Part 15 of the FCC Rules. These limits are designed to provide reasonable protection against harmful interference in a residential installation. This equipment generates, uses and can radiate radio frequency energy and, if not installed and used in accordance with the instructions, may cause harmful interference to radio communications. However, there is no guarantee that interference will not occur in a particular installation. If this equipment does cause harmful interference to radio or television reception, which can be determined by turning the equipment off and on, the user is encouraged to try to correct the interference by one or more of the following measures:

- Reorient or relocate the receiving antenna.
- Increase the separation between the equipment and receiver.
- Connect the equipment into an outlet on a circuit different from that to which the receiver is connected.
- Consult the dealer or an experienced radio/TV technician for help.

Pursuant to FCC regulations, you are cautioned that any changes or modifications not expressly approved in this manual could void your authority to operate this equipment.

Safety and Regulatory

This device complies with Industry Canada's licence-exempt RSSs. Operation is subject to the following two conditions:

- (1) This device may not cause interference; and
- (2) This device must accept any interference, including interference that may cause undesired operation of the device.

To prevent radio interference to the licensed service, this device is intended to be operated indoors and away from windows to provide maximum shielding. Equipment (or its transmit antenna) that is installed outdoors is subject to licensing.

5 GHz bands are restricted to indoor operations only.

This equipment complies with FCC/IC radiation exposure limits set forth for an uncontrolled environment and meets the FCC radio frequency (RF) Exposure Guidelines and RSS-102 of the IC radio frequency (RF) Exposure rules. This equipment should be installed and operated keeping the radiator at least 20 cm or more away from person's body (excluding extremities: hands, wrists, feet and ankles).

This device and its antenna(s) must not be co-located or operating with any other antenna or transmitter except Grant condition.

High-power radars are allocated as primary users (i.e. priority users) of the bands 5250-5350 MHz and 5650-5850 MHz and that these radars could cause interference and/or damage to LE-LAN devices.

WARNING

Stability Hazard

The television set may fall, causing serious personal injury or death.

Never place a television set in an unstable location. A television set may fall, causing serious personal injury or death. Many injuries, particularly to children, can be avoided by taking simple precautions such as:

- Using cabinets or stands recommended by the manufacturer of the television set.
 - Only using furniture that can safely support the television set.
 - Ensuring the television set is not overhanging the edge of the supporting furniture.
 - Not placing the television set on tall furniture (for example, cupboards or bookcases) without anchoring both the furniture and the television set to a suitable support.
 - Not placing the television set on cloth or other materials that may be located between the television set and supporting furniture.
 - Educating children about the dangers of climbing on furniture to reach the television set or its controls.
- If your existing television set is being retained and relocated, the same considerations as above should be applied.

NOTE ON AC ADAPTER (models with supplied AC adapter only)

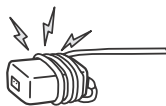
Warning

To reduce the risk of fire or electric shock, do not expose this apparatus to rain or moisture.

To prevent fire or shock hazard, do not place objects filled with liquids, such as vases, on the apparatus.

Do not install this equipment in a confined space, such as a bookshelf or similar unit.

- Please ensure that the AC power outlet is installed near the equipment and shall be easily accessible.
- Be sure to use the supplied AC adapter and AC power cord. Otherwise it may cause a malfunction.
- Connect the AC adapter to an easily accessible AC power outlet.
- Do not coil the AC power cord around the AC adapter. The core wire may be cut and/or it may cause a malfunction of the TV.



- Do not touch the AC adapter with wet hands.
- If you notice an abnormality in the AC adapter, disconnect it from the AC power outlet immediately.
- The set is not disconnected from the AC source as long as it is connected to the AC power outlet, even if the set itself has been turned off.
- As the AC adapter will become warm when it is used for a long time, you may feel hot when touching it by hand.

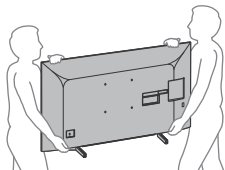
Before setting up your TV

Some TV models are packaged with a detached Table-Top Stand so you can mount your TV to a wall right away. See page 13 (Installing the TV to the Wall) if you want to mount the TV to a wall. If you are not mounting the TV to a wall, you will need to attach the Table-Top Stand. You will need a Phillips screwdriver (not supplied) and the supplied screws to complete the task, refer to the Setup Guide.

Be sure to consider the following while setting up your TV:

- Disconnect all cables when carrying the TV.
- Carry the TV with the adequate number of people; larger size TVs require two or more people.

- Correct hand placement while carrying the TV is very important for safety and to avoid damage.



- Ensure your TV has adequate ventilation, see page 17.
- For best picture quality, do not expose the screen to direct illumination or sunlight.
- Avoid installing the TV in a room with reflective wall and floor materials.
- Avoid moving the TV from a cold area to a warm area. Sudden room temperature changes may cause moisture condensation. This may cause the TV to show poor picture and/or poor color. Should this occur, allow moisture to evaporate completely before powering the TV on.

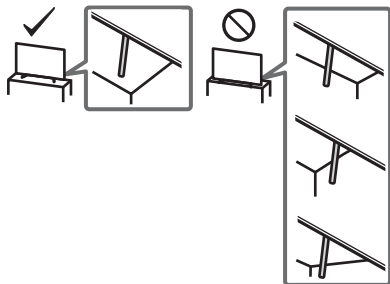
Securing the TV



Sony strongly recommends taking measures to prevent the TV from toppling over. Unsecured TVs may topple and result in property damage, serious bodily injury or even death.

Preventing the TV from Toppling

- Secure the TV to a wall and/or Stand.
- Do not allow children to play or climb on furniture and TV sets.
- Avoid placing or hanging items on the TV.
- Never install the TV on:
 - slippery, unstable and/or uneven surfaces.
 - furniture that can easily be used as steps, such as a chest of drawers.
- Install the TV where it cannot be pulled, pushed, or knocked over.
- Install the TV so that the TV's Table-Top Stand does not protrude out from the Stand (not supplied). If the Table-Top Stand protrudes out from the Stand, it may cause TV set to topple over, fall down, and cause personal injury or damage to the TV.



- Route all AC power cords and connecting cables so that they are not accessible to curious children.

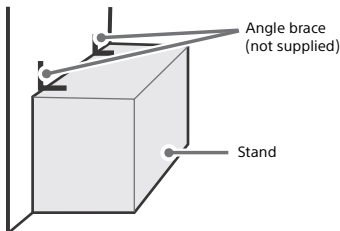
Recommended Measures to Secure the TV

Consider the following measures when securing your TV to a Stand (not supplied).

1 Secure the Stand for the TV.

Make sure the Stand can adequately support the weight of the TV. Use two angle braces (not supplied) to secure the Stand. For each angle brace use the appropriate hardware to:

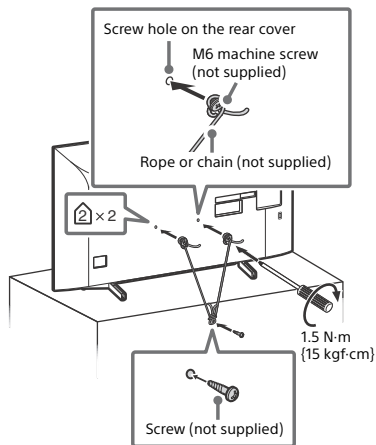
- Attach one side of the angle brace to the wall stud.
- Attach the other side to the Stand.



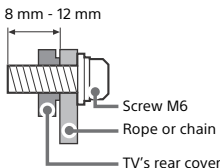
2 Secure the TV to the Stand.

Use the optional hardware listed as follows (not supplied):

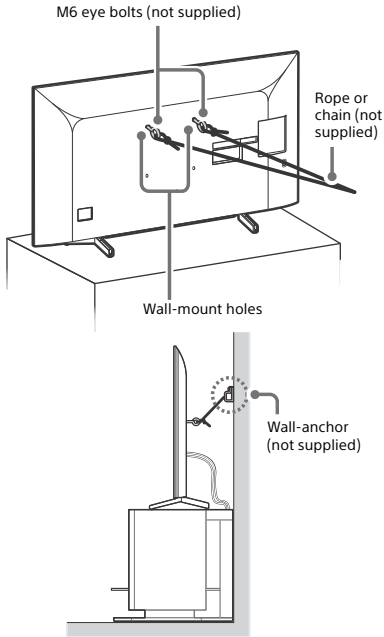
- M6 machine screws (screwed into the TV's rear cover).
- A screw or similar (attach it to the Stand).
- Rope or chain (strong enough to support the weight of the TV). Make sure that there is no excess slack in the rope or chain.



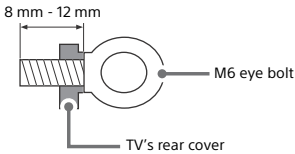
The length of the M6 machine screw differs depending on the rope or chain diameter. Please refer to below illustration.



- 3 Anchor the TV to the wall by using bolts, wall anchor and chain (or rope).



Please see below illustration for M6 eye bolt length.



Note

- Your TV is shipped with screws attached to the rear of the TV depending on the TV model. (They are fastened in the screw holes for wall mounting.) Be sure to remove the upper two screws prior to anchoring the TV to a wall.
- Securing the TV to the Stand without securing the TV and the Stand to the wall provides minimum protection against the TV toppling over. For further protection, be sure to follow the three measures recommended.

Precautions

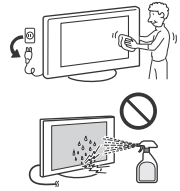
How to care for your BRAVIA TV

Safety is very important. Please read and follow the safety documentation (Safety Booklet) separately provided.

Unplug the TV and other connected equipment from the wall outlet before you begin cleaning your TV.

- Wipe the LCD screen gently with a soft cloth.
- Stubborn stains may be removed with a cloth slightly moistened with a solution of mild soap and warm water.
- If using a chemically pretreated cloth, please follow the instruction provided on the package.
- Never spray water or detergent directly on the TV set. It may drip to the bottom of the screen or exterior parts and enter the TV set, and may cause damage to the TV set.
- Never use strong solvents such as a thinner, alcohol or benzine for cleaning.
- Do not plug in the TV into the wall outlet until the moisture from cleaning has evaporated.

The TV should also be placed on a stable surface to prevent it from toppling over (see page 4). If you have young children or pets at home, check regularly to ensure the TV is securely fastened.



US

The BRAVIA® 4K TV Experience

Thank you for choosing Sony! Your new BRAVIA® TV opens the door to the "4K TV Experience". This document will help you get the most out of your TV. Please take a moment to register your TV at:

U.S.A.: <http://productregistration.sony.com>

Canada: <http://www.sony.ca/registration>

Four Steps to a 4K TV Experience

Set, Source, Sound, and Setup.

1 Set

Now that you have made the best selection in LED backlit LCD TV technology, be sure to remove all of the accessories from the packaging before setting up your TV.

2 Source

To experience the stunning detail of your BRAVIA TV, you need access to HD programming.

- Upgrade your signal or content source to high-definition (4K) by contacting your HD service provider.
- Bring the astonishing resolution of your Sony 4K Ultra HD TV to life with Sony 4K Ultra HD Blu-ray Player. (The availability depends on region)
- Receive over-the-air HD broadcasts with an HD-quality antenna connected directly to the back of your TV. Visit <http://www.antennaweb.org> for more information on antenna selection and setup.
- Discover the wealth of entertainment now available on super-high resolution Blu-ray Disc™ player and other Sony HD equipment.

3 Sound

Complete the high-definition experience with a BRAVIA Sync™ surround sound system or A/V receiver from Sony.

4 Setup

Install your TV and connect your sources. See page 10 for sample connection diagrams. To help assure the highest quality for your HD experience, use Premium High Speed HDMI (High-Definition Multimedia Interface) cables.

To learn more about 4K TV, visit:

U.S.A.: <http://www.sony.com/HDTV>

Canada: <http://www.sony.ca/hdtv>

This TV displays all video input signals in a resolution of 3,840 dots × 2,160 lines.

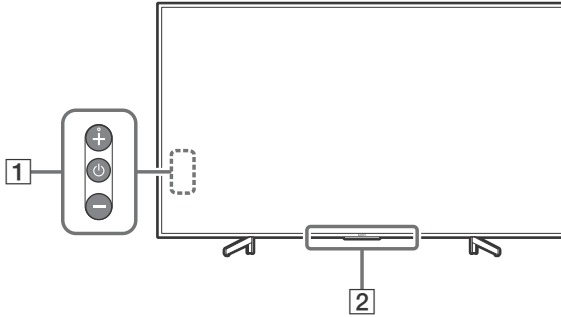
Note

- For details of supported formats, refer to the "Specifications" in this manual.
- For supported PC formats refer to the Help Guide.

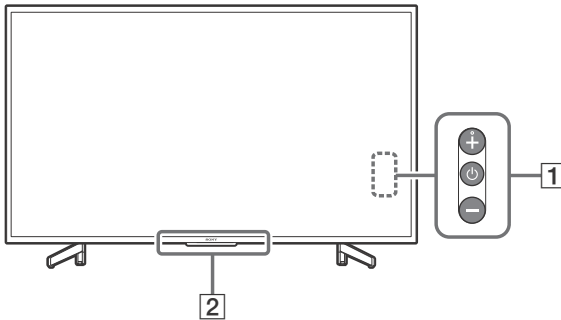
Parts and Controls


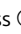

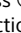
Controls and Indicators

XBR-75/65X800G



XBR-55/49/43X800G



- 1**  (Power) /+/-
When the TV is off,
Press  to power on.
When the TV is on,
Press and hold  to power off.
Press  repeatedly to change the function, then press + or - button to:
- Adjust the volume.
 - Select the channel.
 - Select the input source of TV.

- 2** **Remote Control sensor* / Light sensor* / Illumination LED**
The illumination LED lights up or blinks according to the status of the TV.
For more information, refer to the Help Guide.

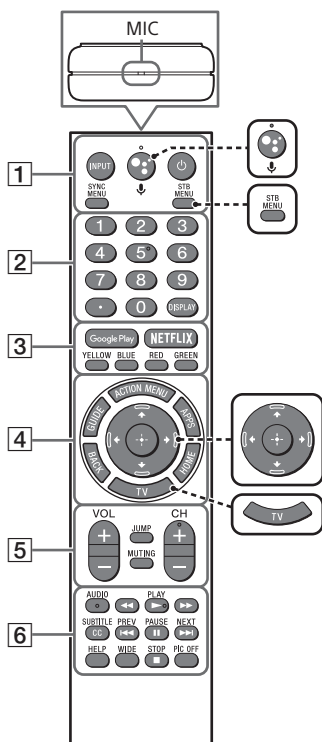
* Do not place anything near the sensor.


US


Using Remote Control


Remote Control Parts Description


The remote control shape, location, availability and function of remote control buttons may vary depending on your region/country/TV model.



 **•• (The Google Assistant) /
• (Microphone)**
Use the Google Assistant*¹*² or voice search*². (e.g., Search various content by voice.)

 **STB MENU**
Display the connected Set Top Box (cable/satellite box) menu after connecting and setting up the IR Blaster (page 12).

 **▲/▼/◀/▶/⊕ (Navigation D-Pad)**
On screen menu navigation and selection.

 **TV**
Switch to a TV channel or input and display the TV Menu Bar.

*1 Only on limited region/country/language

*2 The Google Assistant or voice search requires an Internet connection.

1 INPUT

Display and select the input source.

(TV standby)

Turn on or turn off the TV (standby mode).

SYNC MENU

Display the BRAVIA Sync Menu.

2 Number buttons



Use with the 0-9 buttons to select digital channels.

DISPLAY

Display information about the channel/program/input you are viewing.

3 Google Play

Access the "Google Play" online service.

NETFLIX (Only on limited region/country/TV model)

Access the "NETFLIX" online service.

Color buttons

Execute corresponding function at that time.

4 ACTION MENU

Display a list of contextual functions.

GUIDE

Display the digital program guide, or EPG of Set Top Box (cable/satellite box) after setting [IR Blaster setup].

APPS

Access various services and applications.

BACK

Return to the previous screen.

HOME

Display the TV Home Menu.

5 VOL +/- (Volume)

Adjust the volume.

JUMP

Jump back and forth between two channels or inputs. The TV alternates between the current channel or input and the last channel or input that was selected.

MUTING

Mute the sound. Press again to restore the sound.

CH +/- (Channel)

Select the channel.

6 AUDIO

Select the sound of multilingual source or dual sound for the program currently being viewed (depend on program source).



Operate media contents on the TV and connected BRAVIA Sync-compatible device.

SUBTITLE/CC

Turn subtitles on or off (when the feature is available).

HELP

Display the Help menu. Help Guide can be accessed from here.

WIDE

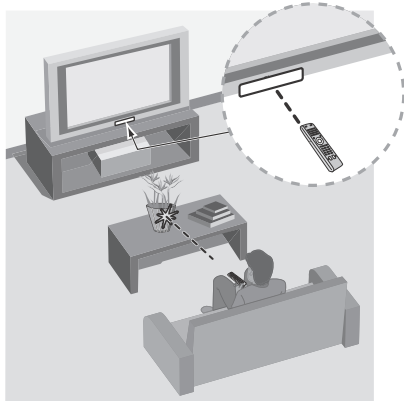
Change the screen format.

PIC OFF

Turn the picture off, while sound remains on.

Guidelines for IR Remote Control

- Point your remote control directly at the IR sensor located on your TV.
- Make sure that no objects are blocking the path between the remote control and the IR sensor on your TV.



- Fluorescent lamps can interfere with your remote control; try turning off the fluorescent lamps.
- If you are having problems with the remote control, reinsert or replace your batteries and make sure that they are correctly inserted.

Connection Diagram

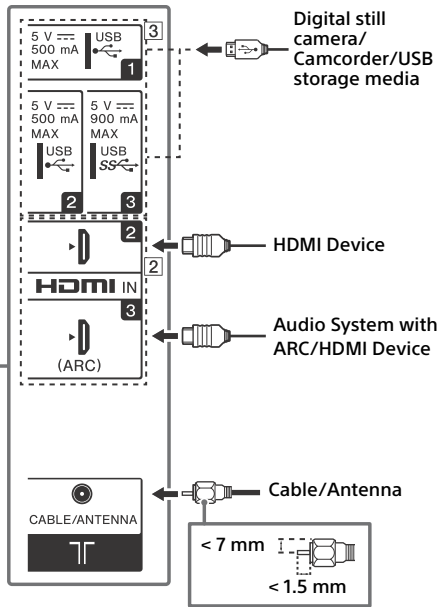
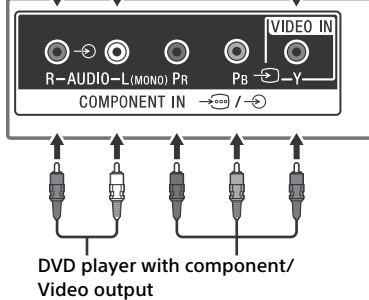
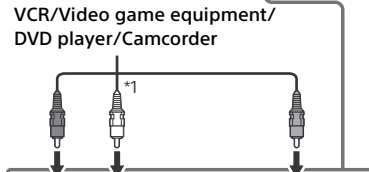
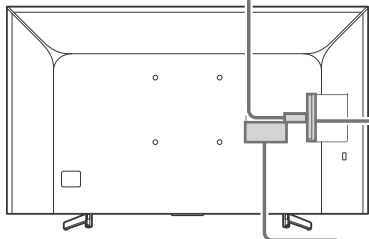
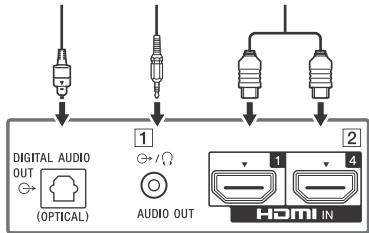
For more information on connections, refer to the Help Guide by pressing **HELP** on the remote control.

Note

- When connecting the cable to the Cable/Antenna input, finger tighten only, over tightening the connection can damage the TV.

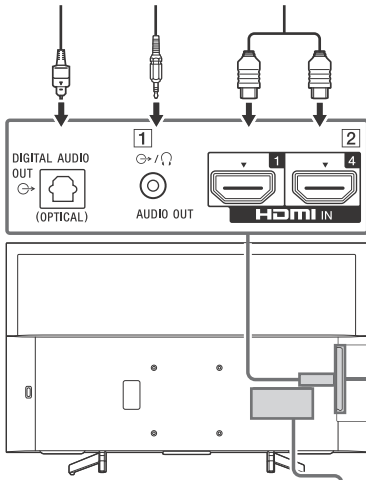
XBR-75/65/55X800G

Audio System with Headphone/
Optical Audio System/
Input Subwoofer HDMI
Device

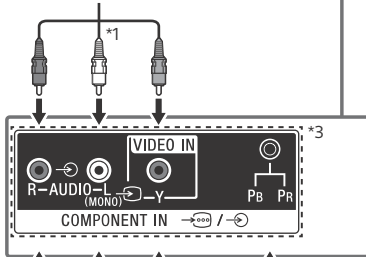


XBR-49/43X800G

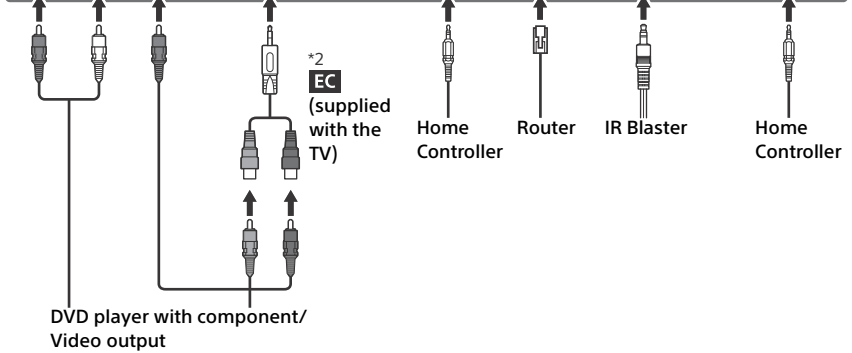
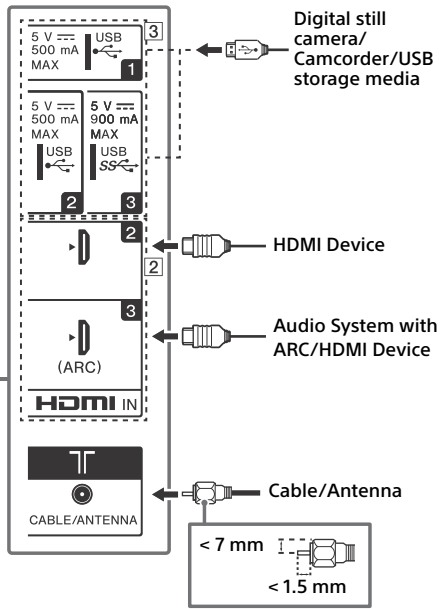
Audio System with Optical Audio Input
 Headphone/ Audio System/ Subwoofer
 HDMI Device



VCR/Video game equipment/
 DVD player/Camcorder



DVD player with component/
 Video output



*2 EC
 (supplied with the TV)

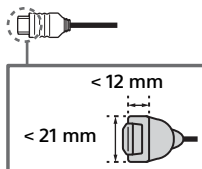
US

1 AUDIO OUT

- Supports 3-pole stereo mini jack only.
- To listen to the TV's sound through the connected equipment, press **HOME**. Select [Settings] → [Sound] → [Headphone/Audio out] and then select the desired item.

2 HDMI IN 1/2/3/4

- HDMI interface can transfer the digital video and audio on a single cable.



HDMI IN 2/3

To enjoy high quality 4K 60p contents, connect a Premium High Speed HDMI cable to the HDMI IN 2/3 and set the [HDMI signal format] to [Enhanced format].

For details of supported formats, refer to the "Specifications" in this manual (page 19-21).

HDMI IN 3 ARC (Audio Return Channel)

Connect your audio system to the HDMI IN 3 to route TV audio to your audio system. An audio system that supports HDMI ARC can send video to the TV, and receive audio from the TV via the same HDMI cable. If your audio system does not support HDMI ARC, an additional connection with DIGITAL AUDIO OUT (OPTICAL) is necessary.



3 USB 1/2, USB 3

- Connecting a large USB device may interfere with other connected devices beside it.
- When connecting a large USB device, connect to the USB 1 port.

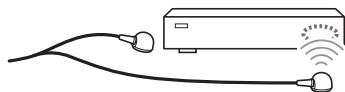
4 REMOTE RS-232C

REMOTE IR IN

- These jacks are for receiving the external control signal. Enables extended control of the TV using RS-232C via the RS-232C and IR IN jacks.
RS-232C: connect to the RS-232C terminal of the home controller.
IR IN: connect to the IR out terminal of the home controller.
- Take care to not connect to headphones or an external audio system.

5 IR BLASTER

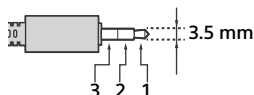
- Use your Sony remote control to control your Set Top Box (cable/satellite box). Connect the IR Blaster Cable (supplied) to the IR Blaster port on your TV. Place one or both of the other two ends as shown below.



- To perform IR Blaster setup, press **HOME** and select [Settings] → [External inputs] → [IR Blaster setup].

*1 When connecting mono equipment, connect to the L (MONO) audio jack (socket).

*2 Terminals and labels may vary depending on country/region/TV model.



- 1: Pb
- 2: Pr
- 3: Ground

*3 For Composite connection, do not plug in Mini Plug Component Adapter.

Installing the TV to the Wall

This TV's instruction manual only provides the steps to prepare the TV for Wall-Mount installation before it is installed on the wall.

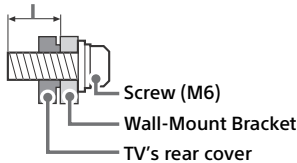
Your TV can be mounted to a wall using a suitable Wall-Mount Bracket (not supplied). If the Table-Top Stand is attached to the TV, the TV may require detaching the Table-Top Stand; see page 14 (Detaching the Table-Top Stand from the TV).

Prepare the TV for the Wall-Mount Bracket before making cable connections.

For product protection and safety reasons, Sony strongly recommends that installation of your TV on the wall be performed by qualified professionals. Do not attempt to install it yourself.

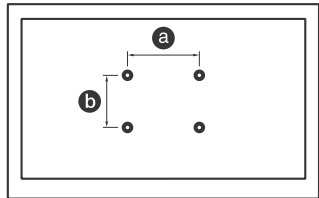
- Follow the instruction guide provided with the Wall-Mount Bracket for your model. Sufficient expertise is required in installing this TV, especially to determine the strength of the wall for withstanding the TV's weight.
- The screws for Wall-Mount Bracket are not supplied.
- The length of the screw for Wall-Mount Bracket differs depending on the Wall-Mount Bracket thickness. Please see below illustration.

8 mm - 12 mm



- Refer to the following table for wall-mount hole pattern.

| Model Name | Wall-mount hole pattern |
|-------------|-------------------------|
| | a × b |
| XBR-75X800G | 300 × 300 mm |
| XBR-65X800G | 300 × 300 mm |
| XBR-55X800G | 200 × 200 mm |
| XBR-49X800G | 200 × 200 mm |
| XBR-43X800G | 100 × 200 mm |



- Be sure to store the unused screws and Table-Top Stand in a safe place until you are ready to attach the Table-Top Stand. Keep the screws away from small children.

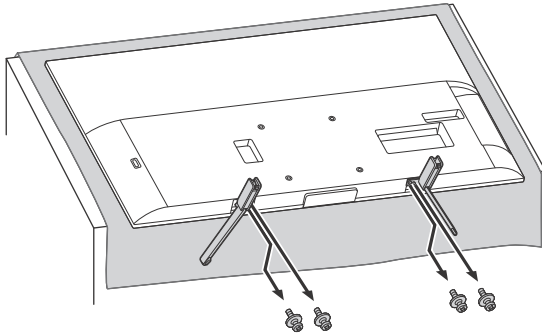
Note

- Read the supplied Safety Booklet for additional safety information.
- For more detailed information, visit Sony Customer Support website.

Detaching the Table-Top Stand from the TV

XBR-49/43X800G only

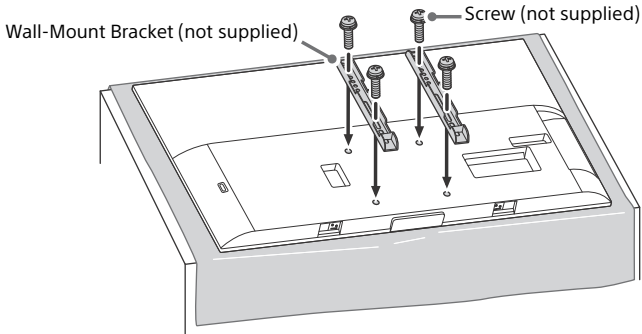
- 1 To detach the Table-Top Stand from the TV, remove the screws.



Note

- Do not remove the Table-Top Stand for any reason other than to install corresponding accessories on the TV.
- Be sure the TV is vertical before turning on. To avoid uneven picture uniformity do not power on the TV with the LCD panel facing down.
- When attaching the Table-Top Stand again, be sure to fasten the screws (previously removed) to the original holes on the rear of the TV.
- Place the TV with its screen facing down on a level and stable surface covered with a thick and soft cloth when removing the Table-Top Stand from the TV to prevent damaging the surface of the LCD display.

- 2 Attach the Wall-Mount Bracket (not supplied) using the screws (not supplied).

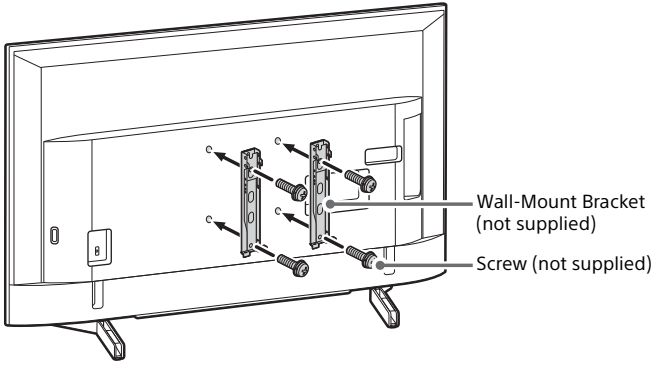


Note

- If using an electric screwdriver, set the torque at approximately 1.5 N·m {15 kgf·cm}.

XBR-55X800G only

- 1 Attach the Wall-Mount Bracket (not supplied) using the screws (not supplied).

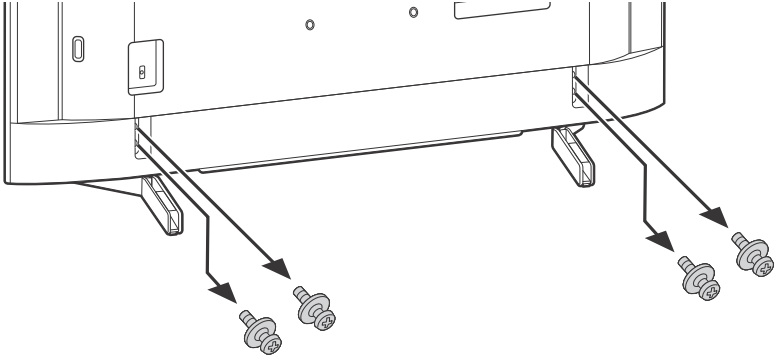


Note

- If using an electric screwdriver, set the torque at approximately 1.5 N·m {15 kgf·cm}.

- 2 Detaching the Table-Top Stand from the TV.

To detach the Table-Top Stand from the TV, remove the screws.

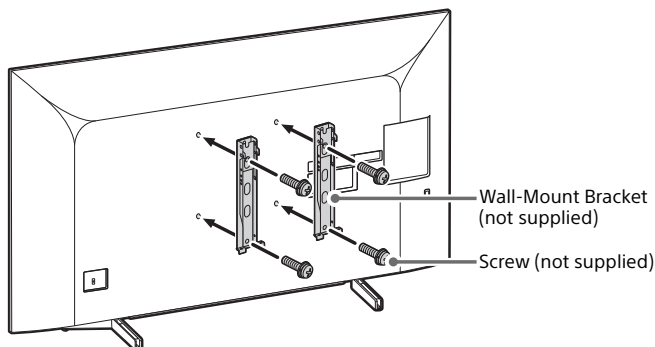


Note

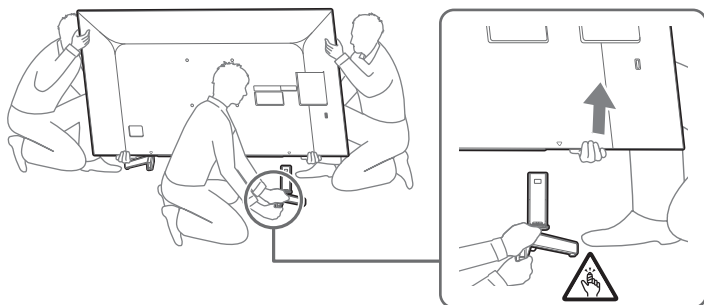
- Do not remove the Table-Top Stand for any reason other than to install corresponding accessories on the TV.
- Be sure the TV is vertical before turning on. To avoid uneven picture uniformity do not power on the TV with the LCD panel facing down.
- When attaching the Table-Top Stand again, be sure to fasten the screws (previously removed) to the original holes on the rear of the TV.

XBR-75/65X800G only

- 1 Attach the Wall-Mount Bracket (not supplied) using the screws (not supplied).



- 2 Remove one side of the Table-Top Stand at a time. Firmly hold the Table-Top Stand securely with both hands while the other people lift up the TV.



- 3 Repeat the previous step and remove the other side of the Table-Top Stand.

Note

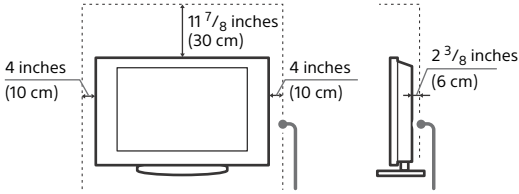
- Three or more people are required to detach the Table-Top Stand.
- Be careful not to use excessive force while detaching the Table-Top Stand from the TV as it may cause the TV set to fall resulting in personal injury or physical damage to the TV.
- Take care when handling the Table-Top Stand to prevent damage to the TV.
- Be careful when lifting the TV as the Table-Top Stand is detached, the Table-Top Stand may topple over and cause personal injury.
- Take care when removing the Table-Top Stand from the TV to prevent it from falling over and damaging the surface that the TV is sitting on.
- Do not remove the Table-Top Stand for any reason other than to install corresponding accessories on the TV.
- Be sure the TV is vertical before turning on. To avoid uneven picture uniformity do not power on the TV with the LCD panel facing down.

Installing the TV against a wall or enclosed area

Ventilation

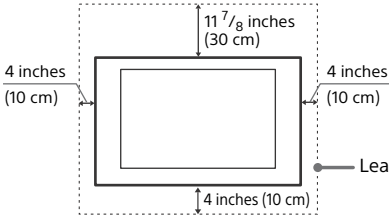
- Never cover the ventilation holes or insert anything into the cabinet.
- Leave space around the TV set as shown below.

Installed with stand



Leave at least this much space around the set.

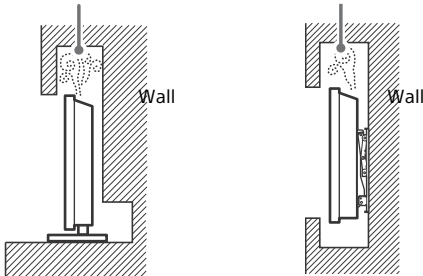
Installed on the wall



Leave at least this much space around the set.

Never install the TV set as follows:

Air circulation is blocked. Air circulation is blocked.



Note

- Inadequate ventilation can lead to overheating of the TV and may cause damage to your TV or cause a fire.

Troubleshooting

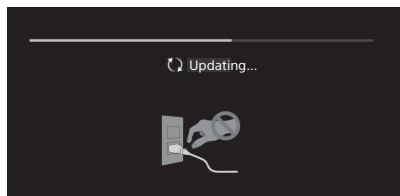
General troubleshooting for issues like: black screen, no sound, frozen picture, TV does not respond, or network is lost, do the following steps.

- 1 Restart your TV by pressing the power button on the remote control until a message appears. The TV will restart. If the TV does not recover, try unplugging the AC power cord. Then press the power button on the TV and wait for two minutes, and plug in the AC power cord.
- 2 Refer to the Help menu by pressing **HELP** on the remote control.
- 3 Connect your TV to the Internet and perform a software update. Sony recommends you to keep your TV software updated. Software updates provide new features and performance improvements.
- 4 Visit Sony support website (information provided on the front cover of this manual).
- 5 Perform the factory data reset. Refer to “How to reset the TV to factory settings” (page 18).

When [A new TV system software update is available...] message is displayed.

Sony strongly recommends you to update the TV software by selecting [Update Now]. These software updates improve your TV performance or add new features.

The following screen with [Updating...] will appear and the illumination LED flashes white while software is updating.



Do not unplug the AC power cord during the software update. If you do, the software update may not finish completely, and it may cause a software malfunction. Software updates can take up to 15 minutes.

When you plug in the TV, the TV may not be able to turn on for a while even if you press the power button on the remote control or the TV.

It takes time to initialize the system. Wait for about one minute, then operate it again.

How to reset the TV to factory settings

WARNING: The reset will clear all of your customized settings including the parental lock setting.

- Turn on the TV. You can reset the TV to factory settings by pressing **HOME**, then select [Settings] → [Storage & reset] → [Factory data reset].
- To force factory data reset, unplug the AC power cord. Press and hold both **⏻** and **⏪** buttons on the TV, then plug in the AC power cord. Release both buttons when the illumination LED blinks in green.
- For security purposes, be sure to remove all personal and account information before discarding, selling or passing your TV to someone else by: unlinking/unregistering, signing out of and deactivating all network services as well as factory reset the TV.

Troubles and Solutions

When the illumination LED is flashing in red.

- Count how many times it flashes (interval time is three seconds). Reboot the TV by disconnecting the AC power cord from the TV until the illumination LED stopped flashing in red, then turn on the TV. If the problem persists, disconnect the AC power cord, and contact Sony Customer Support (information provided on the front cover of this manual) with the number of times the illumination LED flashes.



There is no picture (screen is dark) and no sound.



- Check the cable/antenna connection.
- Connect the TV to the AC power, and press the power button on the TV or the remote control.

No color or irregular color when viewing Video input from the VIDEO jack of

Ⓜ / Ⓜ.

- Ensure Mini Plug Component Adapter (EC) is not connected to the PbPr jack.
- Check the connection of the VIDEO jack of Ⓜ / Ⓜ and check if the cable is firmly inserted in its respective jack.

No color or irregular color when viewing Component input from the Y, P_B, P_R jacks of  / .

- Ensure Mini Plug Component Adapter (EC) is connected to P_BP_R jack.
- Check the connection of the Y, P_B, P_R jacks of  /  and check if each cables are firmly inserted in their respective jacks.

Some programs cannot be tuned.

- Check the cable/antenna connection.

The remote control does not function.

- Replace the batteries.

The STB MENU button on the remote control does not work.

- Check the connection and set up of the IR Blaster (page 12).

The parental lock password has been forgotten.

- Enter 4357 for the PIN and enter the new PIN.

The restricted profile password has been forgotten.

- Perform the force factory data reset. Refer to "How to reset the TV to factory settings" (page 18).

The TV and its surroundings become warm.

- When the TV is used for an extended period of time, the TV and its surroundings may become warm to the touch. This is not a malfunction of the TV.

Specifications

System

Television system

NTSC: American TV Standard

ATSC (8VSB Terrestrial): ATSC compliant 8VSB QAM on cable: ANSI/SCTE 07 2000 (Does not include CableCARD functionality)

Channel coverage

Analog terrestrial: 2 - 69 / Digital terrestrial: 2 - 69

Analog Cable: 1 - 135 / Digital Cable: 1 - 135

Panel system

LCD (Liquid Crystal Display) Panel, LED Backlight

Speaker output

10 W + 10 W

Wireless technology

Protocol IEEE802.11ac/a/b/g/n

Bluetooth Version 4.1

Input/Output jacks

CABLE/ANTENNA

75 ohm external terminal for RF inputs

 /  COMPONENT IN

Y/P_BP_R (Component Video): 1080p (60 Hz),

1080i (60 Hz), 720p (60 Hz), 480p, 480i

Audio input (phono pin jack)

 VIDEO IN

Video input (common phono pin with Y input)

HDMI IN 1/2/3/4 (support 4K resolution, HDCP 2.3-compatible)

Video:

4096 × 2160p (60 Hz)^{*1+2}, 4096 × 2160p (24 Hz)^{*1}, 3840 × 2160p (60 Hz)^{*2}, 3840 × 2160p (24, 30 Hz), 1080p (30, 60 Hz), 1080/24p, 1080i (60 Hz), 720p (30, 60 Hz), 720/24p, 480p, 480i, PC Formats^{*3}

Audio:


5.1 channel linear PCM: 32/44.1/48/88.2/96/176.4/192 kHz 16/20/24 bits, Dolby Digital, Dolby Digital Plus and DTS


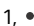

ARC (Audio Return Channel) (HDMI IN 3 only)


(Two channel linear PCM: 48 kHz 16 bits, Dolby Digital, Dolby Digital Plus, DTS)


 DIGITAL AUDIO OUT (OPTICAL)

Digital optical jack (Two channel linear PCM: 48 kHz 16 bits, Dolby Digital, DTS)

AUDIO OUT  (Stereo mini jack)
Headphone, Audio output, Subwoofer

 1,  2,  3
USB port 1 and 2 support High Speed USB
(USB 2.0).
USB port 3 supports Super Speed USB
(USB 3.1 Gen 1).

 LAN
10BASE-T/100BASE-TX connector
(Depending on the operating environment of
the network, connection speed may differ.
The communication rate and quality are not
guaranteed.)
Refer to the Help Guide for the supported
files and formats in Home Network.

 DC IN 19.5 V (XBR-49/43X800G only)
AC adapter input

REMOTE
RS-232C mini jack, IR IN mini jack
These jacks are for receiving the external
control signal.

IR BLASTER
IR Blaster Cable input (mini jack)

Others

Operating temperature
32 °F – 104 °F (0 °C – 40 °C)

Power and others

Power requirement
Except model with supplied AC adapter
110 V - 240 V AC, 50/60 Hz (U.S.A./Canada
120 V AC, 60 Hz)
Models with supplied AC adapter only
19.5 V DC with AC adapter (XBR-49/43X800G
only)
Rating: Input 110 V - 240 V AC, 50/60 Hz
(U.S.A./Canada 120 V AC, 60 Hz)

Power consumption

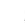

In use
XBR-75X800G: 284 W
XBR-65X800G: 247 W
XBR-55X800G: 184 W
XBR-49X800G: 107 W
XBR-43X800G: 100 W

In standby*4*5
Less than 0.5 W with 120 V AC and less than
0.5 W with 240 V AC

Screen size (measured diagonally) (Approx.)

XBR-75X800G: 74.5 inches (75" class)
XBR-65X800G: 64.5 inches (65" class)
XBR-55X800G: 54.6 inches (55" class)
XBR-49X800G: 48.5 inches (49" class)
XBR-43X800G: 42.5 inches (43" class)

Display resolution
3,840 dots (horizontal) × 2,160 lines (vertical)

Output Rating
USB 1/2
5 V , 500 mA MAX
USB 3
5 V , 900 mA MAX

Dimensions (Approx.)

with stand
XBR-75X800G: 1,686 × 1,034 × 402 mm /
66 ¹/₂ × 40 ³/₄ × 15 ⁷/₈ inches
XBR-65X800G: 1,463 × 909 × 336 mm /
57 ⁵/₈ × 35 ⁷/₈ × 13 ¹/₄ inches
XBR-55X800G: 1,241 × 785 × 336 mm /
48 ¹/₈ × 31 × 13 ¹/₄ inches
XBR-49X800G: 1,101 × 704 × 260 mm /
43 ³/₈ × 27 ³/₄ × 10 ¹/₄ inches
XBR-43X800G: 970 × 630 × 260 mm /
38 ¹/₄ × 24 ¹/₈ × 10 ¹/₄ inches

without stand
XBR-75X800G: 1,686 × 970 × 80 mm /
66 ¹/₂ × 38 ¹/₄ × 3 ¹/₄ inches
XBR-65X800G: 1,463 × 845 × 80 mm /
57 ⁵/₈ × 33 ³/₈ × 3 ¹/₄ inches
XBR-55X800G: 1,241 × 721 × 79 mm /
48 ¹/₈ × 28 ¹/₂ × 3 ¹/₈ inches
XBR-49X800G: 1,101 × 645 × 57 mm /
43 ³/₈ × 25 ¹/₂ × 2 ¹/₄ inches
XBR-43X800G: 970 × 570 × 57 mm /
38 ¹/₄ × 22 ¹/₂ × 2 ¹/₄ inches

wall-mount hole pattern
XBR-75X800G: 300 × 300 mm
XBR-65X800G: 300 × 300 mm
XBR-55X800G: 200 × 200 mm
XBR-49X800G: 200 × 200 mm
XBR-43X800G: 100 × 200 mm
wall-mount screw size (mm)
M6 (length: refer to diagram on page 13.)

Mass (Approx.)

with stand
XBR-75X800G: 32.5 kg / 71.6 lb.
XBR-65X800G: 22.0 kg / 48.5 lb.
XBR-55X800G: 17.2 kg / 37.9 lb.
XBR-49X800G: 12.4 kg / 27.4 lb.
XBR-43X800G: 10.2 kg / 22.5 lb.

without stand
XBR-75X800G: 30.7 kg / 67.7 lb.
XBR-65X800G: 20.9 kg / 46.1 lb.
XBR-55X800G: 16.1 kg / 35.5 lb.
XBR-49X800G: 11.8 kg / 26.0 lb.
XBR-43X800G: 9.6 kg / 21.2 lb.


- *1 When 4096 × 2160p is input and [Wide mode] is set to [Normal], the resolution is displayed as 3840 × 2160p. To display 4096 × 2160p, set [Wide mode] setting to [Full 1] or [Full 2].
- *2 HDMI IN 2/3 only. To support 18 Gbps, set [HDMI signal format] to [Enhanced format].
- *3 Refer to the Help Guide for details.
- *4 Specified standby power is reached after the TV finishes necessary internal processes.
- *5 Standby power consumption will increase when your TV is connected to the network.

Note

- Optional accessories availability depends on countries/region/TV model/stock.
- Design and specifications are subject to change without notice.
- Subscriptions for services and applications may be required and additional terms, conditions and/or charges may apply when using the Google Assistant.

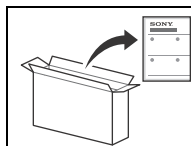
Licensing Information

- The terms HDMI and HDMI High-Definition Multimedia Interface, and the HDMI Logo are trademarks or registered trademarks of HDMI Licensing Administrator, Inc. in the United States and other countries.
- Manufactured under license from Dolby Laboratories. Dolby, Dolby Audio, and the double-D symbol are trademarks of Dolby Laboratories.
- "BRAVIA", BRAVIA and BRAVIA Sync are trademarks or registered marks of Sony Corporation.
- Gracenote, the Gracenote logo and logotype, "Powered by Gracenote" logo are either registered trademarks or trademarks of Gracenote, Inc. in the United States and/or other countries.
- Vewd® Core. Copyright 1995-2019 Vewd Software AS. All rights reserved.
- Google, Google Play, Chromecast, YouTube, Android TV and other related marks and logos are trademarks of Google LLC.
- Wi-Fi®, Wi-Fi Alliance®, Wi-Fi Direct® and Miracast® are registered trademarks of Wi-Fi Alliance.
- The Wi-Fi CERTIFIED™ Logo is a certification mark of Wi-Fi Alliance.

- For DTS patents, see <http://patents.dts.com>. Manufactured under license from DTS, Inc. DTS, the Symbol, & DTS and the Symbol together are registered trademarks, and DTS Digital Surround is a trademark of DTS, Inc. © DTS, Inc. All Rights Reserved.
- The Bluetooth® word mark and logos are registered trademarks owned by the Bluetooth SIG, Inc. and any use of such marks by Sony Corporation is under license. Other trademarks and trade names are those of their respective owners.
- Netflix is a registered trademark of Netflix, Inc.
- TUXERA is a registered trademark of Tuxera Inc. in the US and other countries.
- USB-IF SuperSpeed USB Trident logo is a registered trademark of USB Implementers Forum, Inc. .
- All other trademarks are the property of their respective owners.







Pour fixer le support de table, reportez-vous au Manuel de configuration.

Table des matières

| | |
|---|----|
| AVIS IMPORTANT..... | 2 |
| Consignes de sécurité | 3 |
| Précautions | 6 |
| Pièces et commandes | 8 |
| Commandes et indicateurs | 8 |
| Utilisation de la télécommande | 9 |
| Description des pièces de la télécommande | 9 |
| Schéma de connexion | 11 |
| Fixer le téléviseur au mur | 14 |
| Démonter le support de table du téléviseur..... | 15 |
| Installation du téléviseur contre un mur ou dans un endroit fermé | 18 |
| Dépannage | 19 |
| Problèmes et solutions | 20 |
| Spécifications | 21 |

Introduction

Merci d'avoir choisi ce produit Sony.
Avant de faire fonctionner le téléviseur, lisez attentivement ce manuel et conservez-le pour toute référence ultérieure.

Remarque

- Les images et illustrations utilisées dans le Manuel de configuration et ce manuel sont fournies uniquement à titre de référence et peuvent différer de l'aspect réel du produit.

La taille d'image visualisable de la classe 75" est de 74,5 pouces (189,3 cm), la taille d'image visualisable de la classe 65" est de 64,5 pouces (163,9 cm) et la taille d'image visualisable de la classe 55" est de 54,6 pouces (138,8 cm), la taille d'image visualisable de la classe 49" est de 48,5 pouces (123,2 cm) et la taille d'image visualisable de la classe 43" est de 42,5 pouces (108,0 cm) (mesurée en diagonale).

Aide

Trouver davantage de dépannages et d'autres informations utiles directement depuis votre téléviseur. Appuyer sur **HELP** sur la télécommande pour afficher une liste de sujets ou pour faire une recherche par mot-clé.

Manuel d'aide (Manuel)

Pour plus de détails, sélectionner [Manuel d'aide] dans le menu Aide de votre téléviseur.
Vous pouvez également consulter le Manuel d'aide depuis votre ordinateur ou votre smartphone (coordonnées indiquées sur le dos de couverture de ce manuel).

Emplacement de l'étiquette d'identification

Les étiquettes indiquant le numéro de modèle et les caractéristiques nominales de l'alimentation du téléviseur se trouvent à l'arrière du téléviseur.
Pour les modèles avec adaptateur CA fourni : Les étiquettes indiquant le numéro de modèle et le numéro de série de l'adaptateur CA se trouvent au bas de l'adaptateur CA.

AVIS IMPORTANT

Fiche d'identification

Les numéros de modèle et de série sont indiqués à l'arrière et/ou sur le côté du téléviseur. Inscrivez ces numéros dans les espaces ci-dessous. Faites-y référence chaque fois que vous appelez votre détaillant Sony au sujet de ce téléviseur.

N° de modèle

N° de série

ATTENTION

Pour prévenir les chocs électriques et l'exposition des broches, n'utilisez pas cette fiche CA avec une rallonge, une prise de courant ou une autre sortie de courant, sauf si les broches peuvent être insérées jusqu'au fond.

- Faites uniquement fonctionner le téléviseur sur un courant de 110 V - 240 V CA (États-Unis/Canada 120 V CA) (sauf modèles avec adaptateur CA fourni).
- Faites uniquement fonctionner le téléviseur sur un courant de 19,5 V CC (avec adaptateur CA).

Remarque

Cet téléviseur comporte un démodulateur QAM qui devrait vous permettre de recevoir une programmation numérique décodée de câblodistribution par le biais d'un service d'abonnement auprès d'un câblodistributeur. La disponibilité d'une programmation télévisée numérique par câblodistribution dans votre région dépend du type de programmation et de signal fournis par votre câblodistributeur.

Consignes de sécurité

Déclaration de conformité du fournisseur

Appellation commerciale : SONY
Modèle : XBR-75X800G / XBR-65X800G / XBR-55X800G / XBR-49X800G / XBR-43X800G
Partie responsable : Sony Electronics Inc.
Adresse : 16535 Via Esprillo,
San Diego, CA 92127 U.S.A.
Numéro de téléphone : 858-942-2230

Information relative aux règlements de la FCC

Cet appareil a été soumis à l'essai et s'est avéré conforme aux limites pour un appareil numérique de classe B, conformément à la section 15 des règlements de la FCC. Ces normes sont conçues pour assurer une protection raisonnable contre les interférences nuisibles dans un environnement résidentiel. Cet appareil génère, utilise et peut émettre de l'énergie radioélectrique et, s'il n'est pas installé ou utilisé selon les directives, peut causer des interférences nuisibles aux communications radio. Cependant, il n'existe aucune garantie que des interférences ne se produiront pas dans une installation particulière. Si ce matériel est source d'interférences nuisibles pour la réception radio ou télévisée, ce qui peut être déterminé en mettant l'appareil hors tension, puis sous tension, il est recommandé de tenter d'éliminer ces interférences en appliquant l'une ou plusieurs des mesures suivantes :

- Réorienter ou déplacer l'antenne réceptrice.
- Éloigner l'appareil du récepteur.
- Brancher l'appareil dans une prise d'un circuit différent de celui qui alimente le récepteur.
- Consulter le détaillant ou un technicien radio ou télévision qualifié pour obtenir de l'aide.

Conformément aux règlements de la FCC, vous êtes averti que tous les changements ou modifications non expressément approuvés dans ce manuel pourraient annuler tous vos droits relatifs à l'utilisation de ce produit.

Sécurité et réglementation

Le présent appareil est conforme aux CNR d'Industrie Canada applicables aux appareils radio exempts de licence. L'exploitation est autorisée aux deux conditions suivantes : 1) l'appareil ne doit pas produire de brouillage; 2) l'utilisateur de l'appareil doit accepter tout brouillage radioélectrique subi, même si le brouillage est susceptible d'en compromettre le fonctionnement.

Pour empêcher que cet appareil cause du brouillage au service faisant l'objet d'une licence, il doit être utilisé à l'intérieur et devrait être placé loin des fenêtres afin de fournir un écran de blindage maximal. Si le matériel (ou son antenne d'émission) est installé à l'extérieur, il doit faire l'objet d'une licence.

Les bandes 5 GHz sont uniquement limitées aux utilisations intérieures.

Cet équipement est conforme aux limites d'exposition aux rayonnements énoncées pour un environnement non contrôlé et respecte les règles les radioélectriques (RF) de la FCC lignes directrices d'exposition et d'exposition aux fréquences radioélectriques (RF) CNR-102 de l'IC. Cet équipement doit être installé et utilisé en gardant une distance de 20 cm ou plus du entre le radiateur et le corps humain (à l'exception des extrémités : mains, poignets, pieds et chevilles).

Cet appareil et sa ou ses antennes ne doivent pas être placés à proximité d'autres antennes ou émetteurs ni fonctionner avec eux, sauf autorisation spéciale.

Les radars de haute puissance sont désignés utilisateurs principaux (c.-à-d., qu'ils ont la priorité) pour les bandes 5 250-5 350 MHz et 5 650-5 850 MHz, et ces radars pourraient causer du brouillage et/ou des dommages aux dispositifs LAN-EL.

AVERTISSEMENT

Danger de stabilité

Le téléviseur pourrait tomber, entraînant de graves blessures voire un décès.

Ne jamais poser le téléviseur à un endroit instable. Le téléviseur pourrait tomber, entraînant de graves blessures voir un décès. De nombreuses blessures, en particulier chez les enfants, peuvent être évitées en prenant de simples précautions, par exemple :

- Utiliser des meubles ou supports recommandés par le fabricant du téléviseur.
- N'utiliser que des meubles capables de soutenir en toute sécurité le téléviseur.
- S'assurer que le téléviseur ne surplombe pas le bord du meuble support.
- Ne pas placer le téléviseur sur un meuble haut (tel qu'un placard ou une bibliothèque) sans fixer le meuble et le téléviseur à un support adapté.
- Ne pas poser le téléviseur sur du tissu ou autre matière placée par exemple entre le téléviseur et le meuble support.
- Informer les enfants des dangers liés à l'escalade des meubles en vue d'atteindre le téléviseur ou les commandes du téléviseur.

Si vous conservez et déplacez votre téléviseur actuel, les mêmes précautions doivent être prises.

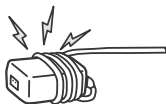
REMARQUE SUR L'ADAPTATEUR CA (modèles avec adaptateur CA fourni uniquement)

Avertissement

Pour réduire le risque d'incendie ou d'électrocution, n'exposez pas cet appareil à la pluie ou à l'humidité. Pour prévenir les incendies ou les électrocutions, ne placez pas d'objets remplis de liquide, tels que des vases, sur l'appareil.

N'installez pas cet équipement dans un espace confiné, tel que dans une bibliothèque ou un meuble encastré.

- Assurez-vous que la prise de courant CA est installée à proximité de l'équipement et peut être facilement accessible.
- Veillez à utiliser l'adaptateur CA et les cordons d'alimentation CA fournis. Sinon, cela peut entraîner un problème de fonctionnement.
- Connectez l'adaptateur CA à une prise de courant CA facilement accessible.
- N'enroulez pas le cordon d'alimentation autour de l'adaptateur CA. Le fil central pourrait se couper et/ou cela pourrait entraîner un problème de fonctionnement du téléviseur.



- Ne touchez pas l'adaptateur CA avec des mains humides.
- Si vous remarquez une anomalie sur l'adaptateur CA, déconnectez-le immédiatement de la prise de courant CA.

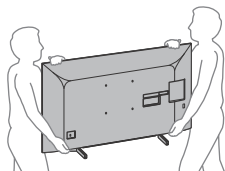
- L'unité n'est pas déconnectée du secteur tant qu'elle reste branchée à la prise d'alimentation CA, même si l'unité proprement dite a été mise hors tension.
- L'adaptateur CA chauffera lors d'une utilisation prolongée, de ce fait il risque d'être chaud au toucher avec la main.

Avant d'installer votre téléviseur

Avec certains modèles de téléviseur, le support de table n'est pas fixé afin de vous permettre de monter directement le téléviseur au mur. Reportez-vous à la page 14 (Fixer le téléviseur au mur) si vous souhaitez installer ce téléviseur au mur. Si vous ne comptez pas installer le téléviseur au mur, vous devez installer le support de table. Vous aurez besoin d'un tournevis Phillips (non fourni) et des vis fournies pour compléter cette tâche, référez-vous au Manuel de configuration.

Tenez compte de ce qui suit pendant l'installation du téléviseur :

- Débranchez tous les câbles avant de transporter le téléviseur.
- Transportez le téléviseur avec le nombre de personnes approprié; un téléviseur de grande taille doit être transporté par au moins deux personnes.
- Lors du transport du téléviseur, le bon emplacement des mains est très important pour votre sécurité, ainsi que pour éviter de causer des dommages.



- Assurez-vous que le téléviseur est entouré d'une ventilation adéquate; reportez-vous à la page 18.
- Pour obtenir une qualité d'image optimale, n'exposez pas l'écran à la lumière directe d'une lampe ou du soleil.
- Évitez d'installer le téléviseur dans une pièce dont le sol et les murs sont d'un matériau réfléchissant.
- Évitez de déplacer le téléviseur d'un endroit froid à un endroit chaud. Un changement soudain de température peut provoquer de la condensation. Ce phénomène peut affecter la qualité de l'image et/ou des couleurs affichées par le téléviseur. Si cela se produit, laissez la condensation s'évaporer complètement avant de mettre le téléviseur sous tension.

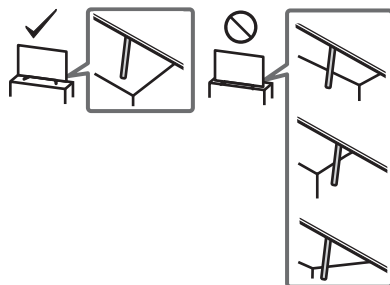
Fixer le téléviseur



Sony recommande fortement de prendre les mesures nécessaires pour prévenir le basculement du téléviseur. Des téléviseurs qui ne sont pas fixés solidement peuvent basculer et entraîner des dommages matériels, des blessures corporelles graves ou même mortelles.

Prévenir le basculement du téléviseur

- Fixer solidement le téléviseur à un mur et/ou à un support.
- Ne pas laisser les enfants jouer ou monter sur les meubles et les téléviseurs.
- Éviter de placer ou d'accrocher des objets sur le téléviseur.
- Ne jamais installer le téléviseur sur :
 - des surfaces glissantes, instables et/ou inégales.
 - un meuble qui peut facilement servir d'escalier, comme une commode à tiroirs.
- Installez le téléviseur où il ne peut pas être tiré, poussé ou renversé.
- Installez le téléviseur de manière à ce que le support de table du téléviseur ne dépasse pas du support (non fourni). Si le support de table dépasse du socle, le téléviseur pourrait basculer, tomber et causer des blessures ou des dommages au téléviseur.



- Acheminer les cordons d'alimentation CA et les cordons connecteurs afin qu'ils ne soient pas accessibles aux enfants curieux.

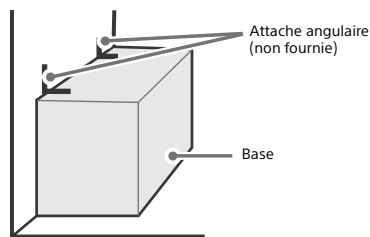
Mesures recommandées pour fixer solidement le téléviseur

Tenez compte des mesures suivantes lorsque vous fixez votre téléviseur à une base (non fournie).

1 Fixer solidement la base du téléviseur.

S'assurer que la base peut supporter adéquatement le poids du téléviseur. Utiliser deux attaches angulaires (non fournies) pour fixer solidement la base. Avec chaque

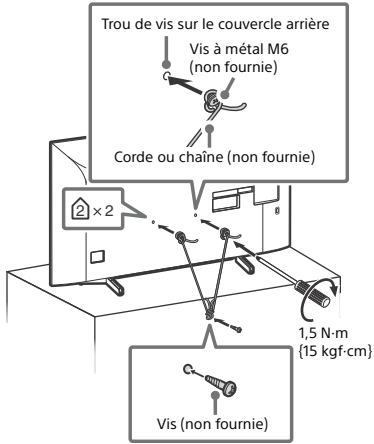
- Fixer un côté de l'attache angulaire au poteau mural.
- Fixer l'autre côté à la base.



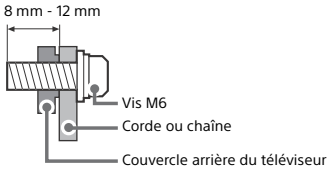
2 Fixer solidement le téléviseur à la base.

Utiliser la quincaillerie optionnelle mentionnée (non fournie) :

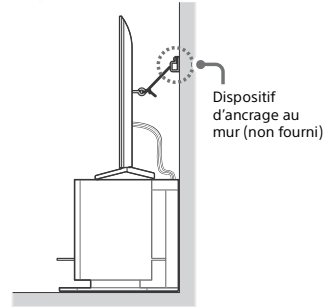
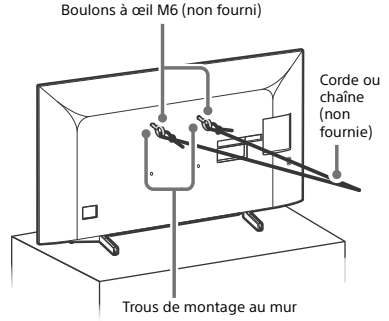
- Vis à métal M6 (vissée sur le couvercle arrière du téléviseur).
- Une vis ou l'équivalent (la fixer à la base).
- Une corde ou une chaîne (assez solide pour supporter le poids du téléviseur). Vous assurer qu'il n'y a pas de mou excessif dans la corde ou la chaîne.



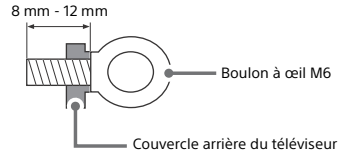
La longueur des vis à métal M6 diffère selon le diamètre de la corde ou de la chaîne. Reportez-vous à l'illustration ci-dessous.



3 Fixer le téléviseur au mur avec des boulons, un dispositif d'ancrage au mur et une chaîne (ou une corde).



Veillez consulter l'illustration ci-dessous pour connaître la longueur du boulon à œil M6.



Remarque

- À la livraison de votre téléviseur, selon le modèle, les vis sont fixées à l'arrière du téléviseur. (Elles sont fixées dans les orifices servant au montage mural.) Veillez à retirer les 2 vis du haut avant de fixer le téléviseur à un mur.
- Le fait d'uniquement fixer le téléviseur à la base sans fixer le téléviseur et la base au mur fournit une protection minimale contre le basculement du téléviseur. Pour une protection supplémentaire, suivre toutes les trois mesures recommandées ci-dessus.

Précautions

Entretien de votre téléviseur BRAVIA

La sécurité étant de première importance, veuillez lire la documentation de sécurité (Feuille de consignes de sécurité) fournie séparément et vous y conformer.

Débranchez le téléviseur et les appareils raccordés de la prise de courant avant de nettoyer le téléviseur.

- Essayez l'écran ACL délicatement à l'aide d'un chiffon doux.
- Les taches tenaces peuvent être enlevées à l'aide d'un chiffon légèrement imbibé d'une solution de savon doux et d'eau tiède.
- Si vous utilisez un chiffon prétraité avec un produit chimique, suivez bien les directives indiquées sur l'emballage.
- Ne vaporisez jamais d'eau ou de détergent directement sur le téléviseur. Le liquide pourrait couler au bas de l'écran ou sur les parties extérieures, voire pénétrer dans le téléviseur et l'endommager.
- N'utilisez jamais de solvants corrosifs tels qu'un diluant, de l'alcool ou du benzène pour nettoyer l'appareil.
- Attendez que l'humidité laissée par le nettoyage se soit évaporée avant de rebrancher le téléviseur dans la prise de courant.

Le téléviseur doit aussi être placé sur une surface stable afin de prévenir son basculement (consultez la page 4). Si vous avez des enfants ou des animaux domestiques, vérifiez régulièrement que le téléviseur est fixé solidement pour une utilisation en toute sécurité.



Fonctionnalités de l'expérience télévision BRAVIA^{MD} en 4K

Nous vous remercions d'avoir choisi Sony! Votre nouveau téléviseur BRAVIA^{MD} est la clé d'une « expérience télévision en 4K ». Le présent document vous aidera à préparer votre nouveau téléviseur pour l'utilisation. Prenez quelques instants pour compléter l'enregistrement de votre téléviseur à l'adresse suivante :

Canada : <http://www.sony.ca/fr/registration>

États-Unis : <http://productregistration.sony.com>

Les quatre éléments d'une expérience télévision en 4K

L'installation, la source, le son et la configuration.

1 Installation

Maintenant que vous avez choisi la meilleure technologie qui soit en matière de téléviseurs ACL rétro-éclairés par DEL, veuillez à retirer tous les accessoires de l'emballage avant d'installer votre téléviseur.

2 Source

Pour faire l'expérience du niveau de détail incroyable qu'offre votre téléviseur **BRAVIA**, vous devez vous abonner à un service de télévision haute définition.

- Obtenez un signal ou une source en haute définition (4K) en communiquant avec votre fournisseur de services HD.
 - Donnez vie à la résolution époustouflante de votre téléviseur Sony Ultra HD 4K avec le Lecteur Blu-ray Sony Ultra HD 4K. (La disponibilité dépend des régions)
 - Recevez des émissions en HD diffusées sur les ondes par l'intermédiaire d'une antenne de qualité HD branchée directement à l'arrière du téléviseur.
- Visitez le site <http://www.antennaweb.org> pour plus de renseignements sur le choix et l'installation d'une antenne.
- Découvrez tout un monde de divertissement maintenant offert en super-haute définition sur les lecteurs Blu-ray Disc^{MC} et autres appareils HD de Sony.

3 Son

Complétez l'expérience haute définition avec une chaîne de cinéma maison ambiophonique **BRAVIA Sync^{MC}** ou un récepteur audio-vidéo de Sony.

4 Configuration

Installez votre téléviseur et raccordez vos sources de signal. Reportez-vous à la page 11 pour des exemples de schémas de connexion. Pour vous aider à obtenir la meilleure qualité d'image possible lors de votre expérience HD, utilisez des câbles Premium High Speed HDMI (High-Definition Multimedia Interface) de Sony.

Pour en savoir plus sur le téléviseur 4K, visitez :

Canada : <http://www.sony.ca/fr/hdtv>

États-Unis : <http://www.sony.com/HDTV>

Ce téléviseur affiche tous les types de format d'image en résolution de 3 840 points × 2 160 lignes.

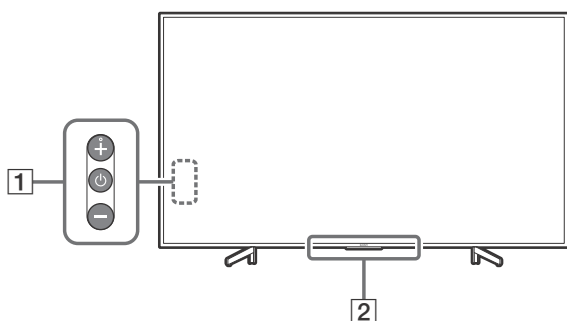
Remarques

- Pour plus de détails sur les formats pris en charge, reportez-vous à la section « Spécifications » de ce manuel.
- Pour connaître les formats de signal pris en charge en provenance d'un ordinateur, reportez-vous au Manuel d'aide.

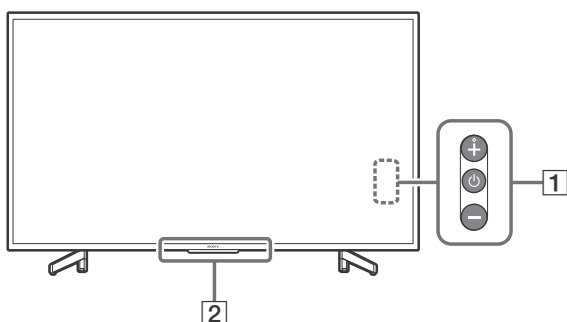
Pièces et commandes

Commandes et indicateurs

XBR-75/65X800G



XBR-55/49/43X800G



- 1** ⏻ (Alimentation) /+/-
Lorsque le téléviseur est éteint,
Appuyez sur ⏻ pour l'allumer.
Lorsque le téléviseur est allumé,
Appuyez longtemps sur ⏻ pour mettre
le système hors tension.
Appuyez sur ⏻ de façon répétitive pour
changer la fonction, puis appuyez sur la
touche + ou - pour :
- Régler le volume.
 - Sélectionner le canal.
 - Sélectionner la source d'entrée du téléviseur.

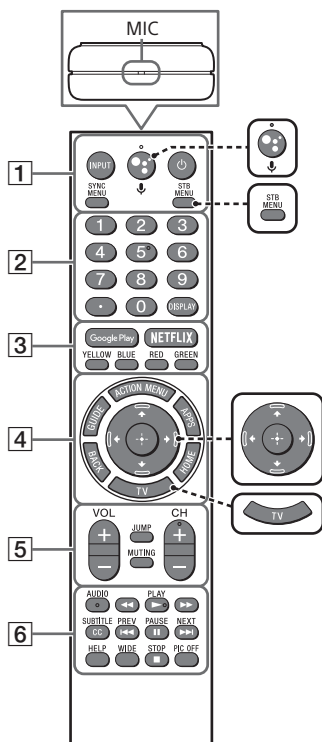
- 2** Capteur de télécommande* /
Capteur de lumière* / DEL
d'éclairage
La DEL d'éclairage s'allume ou clignote
en fonction de l'état du téléviseur.
Pour plus d'informations, reportez-vous
au Manuel d'aide.

* Ne placez aucun objet près du capteur.

Utilisation de la télécommande

Description des pièces de la télécommande

La forme de la télécommande, l'emplacement, la disponibilité et la fonction des touches de la télécommande peuvent varier selon votre région ou pays ou le modèle de téléviseur.



•• (Assistant Google) / ↓ (Micro)

Utilisez l'Assistant Google*1*2 ou la recherche vocale*2. (p. ex., recherche de divers contenus à l'aide de la voix.)



STB MENU

Affichez le menu du décodeur connecté (câble/décodeur satellite) après la connexion et la configuration du IR Blaster (page 13).



↑/↓/←/→/⊕ (D-Pad de navigation)

Navigation et sélection dans le menu à l'écran.



TV

Permet de passer à un canal ou une entrée du téléviseur et d'afficher la Barre de menu du téléviseur.

*1 Uniquement pour certaines régions/pays/langues.

*2 L'Assistant Google ou la recherche vocale nécessite une connexion Internet.

1 INPUT

Permet d'afficher et de sélectionner la source d'entrée.

⏻ (Veille du téléviseur)

Permet d'allumer ou éteindre le téléviseur (mode de veille).

SYNC MENU

Affiche le menu BRAVIA Sync.

2 Touches numériques



Utilisez cette touche avec les touches 0-9 pour sélectionner des canaux numériques.

DISPLAY

Affiche des informations sur le canal/l'émission/l'entrée que vous regardez.

3 Google Play

Permet d'accéder au service « Google Play » en ligne.

NETFLIX (Uniquement pour des régions/pays/modèles de téléviseurs limités)

Permet d'accéder au service « NETFLIX » en ligne.

Touches de couleur

Permet d'exécuter la fonction correspondante à ce moment.

4 ACTION MENU

Affiche une liste de fonctions contextuelles.

GUIDE

Affiche le guide des programmes numériques, ou EPG du décodeur (câble/satellite) après le réglage de [Configurer IR Blaster].

APPS

Permet d'accéder à divers services et applications.

BACK

Permet de retourner à l'écran précédent.

HOME

Affiche le menu d'accueil du téléviseur.

5 VOL +/- (Volume)

Permet de régler le volume.

JUMP

Permet d'alterner entre deux canaux ou entrées. Le téléviseur alterne entre le canal ou l'entrée en cours et le dernier canal ou entrée que vous avez sélectionné.

MUTING

Permet de couper le son. Appuyez de nouveau pour rétablir le son.

CH +/- (Canal)

Permet de sélectionner le canal.

6 AUDIO

Sélectionnez le son de la source multilingue ou le double son pour le programme en cours de visionnement (selon la source du programme).



Permet de faire fonctionner les contenus média sur le téléviseur et l'appareil compatible BRAVIA Sync raccordé.

SUBTITLE/CC

Active ou désactive les sous-titres (lorsque la fonction est disponible).

HELP

Affiche le menu d'Aide. Le Manuel d'aide est accessible ici.

WIDE

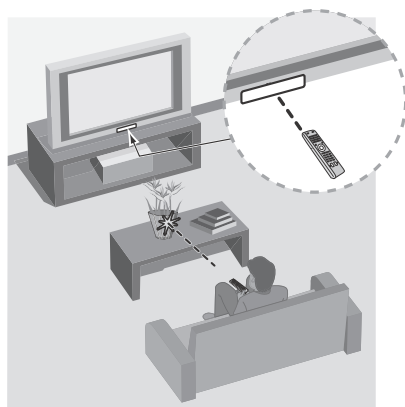
Permet de modifier le format d'écran.

PIC OFF

Permet de désactiver l'image tout en maintenant le son activé.

Directives pour la télécommande IR

- Pointez la télécommande en direction du capteur infrarouge du téléviseur.
- Assurez-vous qu'aucun objet ne se trouve entre la télécommande et le capteur infrarouge.



- Les lampes fluorescentes peuvent perturber le fonctionnement de votre télécommande; le cas échéant, éteignez les lampes fluorescentes dans la pièce.
- Si vous éprouvez des difficultés avec la télécommande, réinsérez ou remplacez les piles et assurez-vous qu'elles sont correctement placées dans le logement.

Schéma de connexion

Pour plus d'informations sur les raccordements, reportez-vous au Manuel d'aide en appuyant sur la touche **HELP** de la télécommande.

Remarque

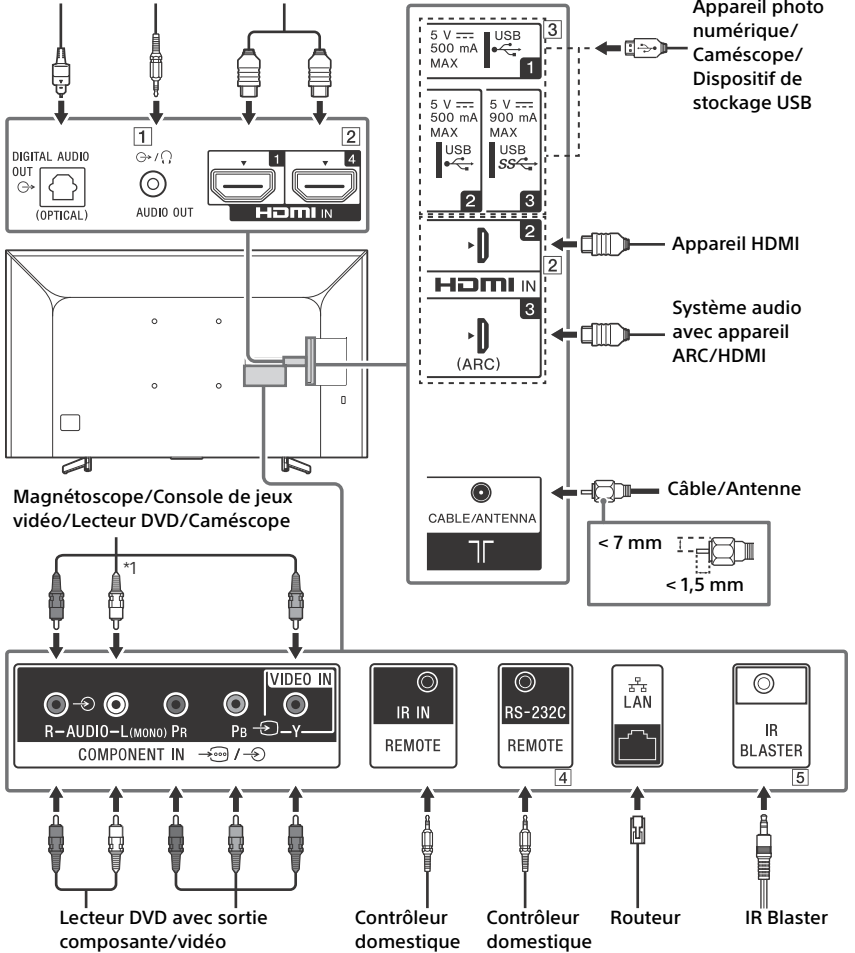
- Lorsque vous branchez le câble au Câble / Antenne, serrez-le à la main uniquement, car le serrage excessif de la connexion peut endommager le téléviseur.

XBR-75/65/55X800G

Système audio avec Entrée audio optique

Écouteurs/ Système audio/ Infrarouge

Appareil HDMI

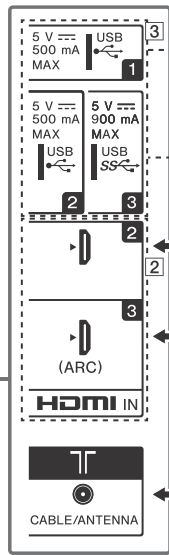
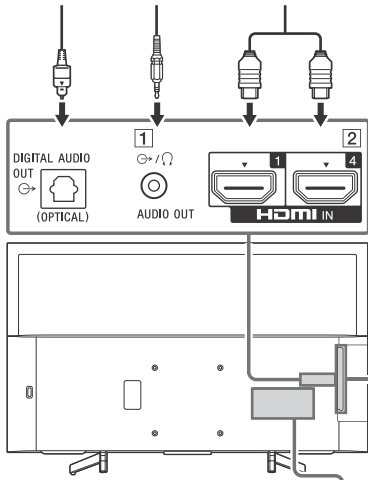


XBR-49/43X800G

Système audio avec Entrée audio optique

Écouteurs/ Système audio/ Infrarouge

Appareil HDMI

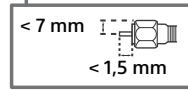


Appareil photo numérique/ Caméscope/ Dispositif de stockage USB

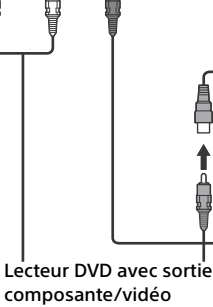
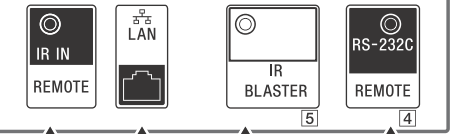
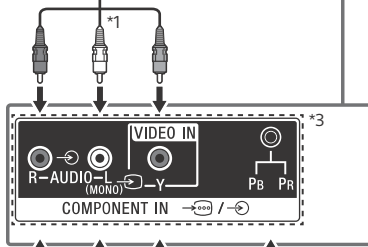
Appareil HDMI

Système audio avec appareil ARC/HDMI

Câble/Antenne



Magnétoscope/Console de jeux vidéo/Lecteur DVD/Caméscope



*2 EC (fournie avec le téléviseur)

Contrôleur domestique

Routeur

IR Blaster

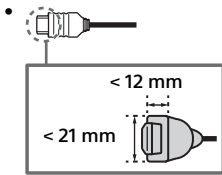
Contrôleur domestique

1 AUDIO OUT

- Prend en charge la mini prise stéréo à 3 broches uniquement.
- Pour écouter le son du téléviseur à l'aide de l'appareil raccordé, appuyez sur **HOME**. Sélectionnez [Paramètres] → [Son] → [Écouteurs/sortie audio], puis sélectionnez l'élément souhaité.

2 HDMI IN 1/2/3/4

- L'interface HDMI peut transférer la vidéo et l'audio numérique sur un câble unique.



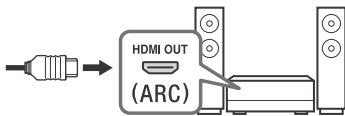
• HDMI IN 2/3

Pour apprécier des contenus 4K 60p de haute qualité, connectez un câble HDMI haute vitesse de qualité supérieure à la prise HDMI IN 2/3 et réglez le [Format du signal HDMI] à [Format amélioré].

Pour plus de détails sur les formats pris en charge, reportez-vous à la section « Spécifications » de ce manuel (pages 21-22).

• HDMI IN 3 ARC (Audio Return Channel)

Raccordez votre système audio au HDMI IN 3 pour acheminer l'audio TV vers votre système audio. Un système audio qui prend en charge le HDMI ARC peut envoyer la vidéo au téléviseur, et recevoir l'audio depuis le téléviseur via le même câble HDMI. Si votre système audio ne prend pas en charge le HDMI ARC, un raccordement supplémentaire avec DIGITAL AUDIO OUT (OPTICAL) est nécessaire.



3 USB 1/2, USB 3

- Le raccordement d'un appareil USB de grande taille pourrait interférer avec les autres appareils raccordés à proximité.

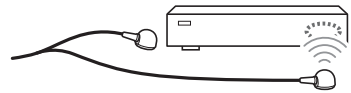
- Lors du raccordement d'un appareil USB de grande taille, effectuez le raccordement au port USB 1.

4 REMOTE RS-232C REMOTE IR IN

- Ces prises permettent de recevoir le signal de commande externe. Elles permettent le contrôle étendu du téléviseur à l'aide d'une liaison RS-232C via les connecteurs RS-232C et IR IN.
RS-232C : raccordez à la borne RS-232C du contrôleur domestique.
IR IN : raccordez à la borne de sortie IR du contrôleur domestique.
- Assurez-vous de ne pas effectuer le raccordement à un casque d'écoute ou un système audio externe.

5 IR BLASTER

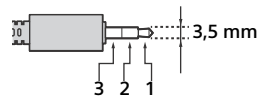
- Utilisez votre télécommande Sony pour contrôler votre décodeur (câble/décodeur satellite). Raccordez le câble IR Blaster (fourni) au port IR Blaster de votre téléviseur. Placez une ou les deux autres extrémités comme indiqué ci-dessous.



- Pour effectuer la configuration IR Blaster, appuyez sur **HOME** et sélectionnez [Paramètres] → [Entrées externes] → [Configurer IR Blaster].

*1 Lors du raccordement d'un appareil mono, utilisez la prise audio L (MONO) (prise).

*2 Les bornes et les étiquettes peuvent varier selon le pays, la région et le modèle du téléviseur.



- 1: Pb
- 2: Pr
- 3: Masse

*3 Pour la connexion composite, ne branchez pas l'adaptateur composantes à minifiches.

Fixer le téléviseur au mur

Le mode d'emploi de ce téléviseur montre uniquement les étapes permettant de préparer le téléviseur pour une fixation murale avant son installation au mur.

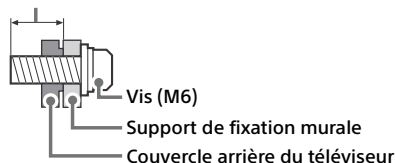
Votre téléviseur peut être installé sur un mur avec un support de fixation murale adapté (non fourni). Il se peut que le support de table soit fixé au téléviseur, dans ce cas, vous devez d'abord démonter le support de table du téléviseur; reportez-vous à la page 15 (Démonter le support de table du téléviseur).

Préparez le téléviseur pour l'installation du support de fixation murale avant d'effectuer le raccordement des câbles.

Pour des raisons de sécurité et de protection du produit, Sony recommande fortement que l'installation de votre téléviseur sur le mur soit effectuée par un professionnel qualifié. N'essayez pas de l'installer vous-même.

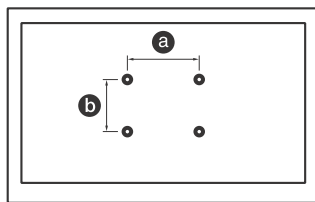
- Suivez le guide d'instructions fourni avec le support de fixation murale pour votre modèle. Une certaine expertise est nécessaire pour l'installation de ce téléviseur, en particulier en ce qui concerne la solidité du mur en relation avec le poids de l'appareil.
- Les vis du support de fixation murale ne sont pas fournies.
- La longueur des vis pour le support de fixation murale diffère selon l'épaisseur du support de fixation murale. Reportez-vous à l'illustration ci-dessous.

8 mm - 12 mm



- Reportez-vous au tableau suivant pour le schéma des trous pour la fixation murale.

| N° de modèle | Schéma des trous pour la fixation |
|--------------|-----------------------------------|
| | a × b |
| XBR-75X800G | 300 × 300 mm |
| XBR-65X800G | 300 × 300 mm |
| XBR-55X800G | 200 × 200 mm |
| XBR-49X800G | 200 × 200 mm |
| XBR-43X800G | 100 × 200 mm |



- Assurez-vous de ranger les vis non utilisées et le support de table dans un endroit sûr jusqu'à ce que vous soyez prêt à fixer le support de table. Gardez les vis hors de la portée des jeunes enfants.

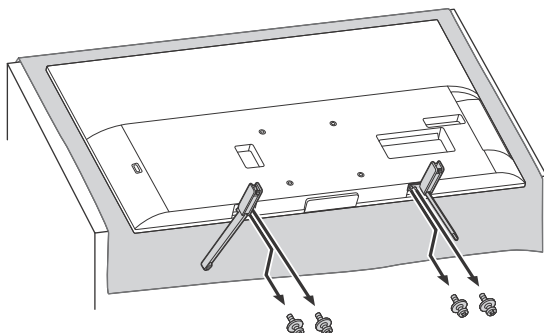
Remarque

- Lisez le Feuille de consignes d'utilisation et de sécurité fourni pour plus de renseignements sur l'utilisation en toute sécurité.
- Pour des informations plus détaillées, visitez le site Web du service à la clientèle de Sony.

Démonter le support de table du téléviseur

XBR-49/43X800G uniquement

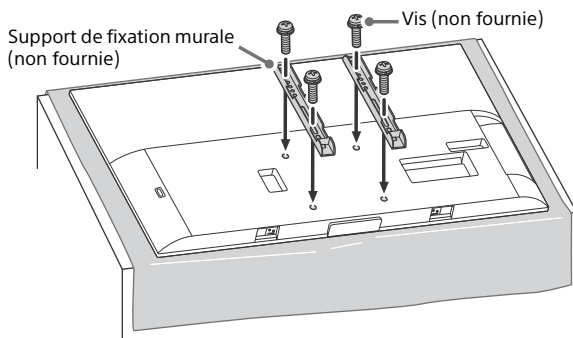
1 Démonter le support de table du téléviseur en retirant d'abord les vis.



Remarque

- N'enlevez pas le support de table pour aucune raison autre que l'installation des accessoires correspondants sur le téléviseur.
- Assurez-vous que le téléviseur est en position verticale avant de l'allumer. Pour éviter des irrégularités de l'uniformité de l'image, ne pas allumer le téléviseur avec l'écran ACL vers le bas.
- Pour fixer de nouveau le support de table, veillez à utiliser les vis (que vous avez enlevées précédemment) dans les mêmes orifices à l'arrière du téléviseur.
- Placez le téléviseur avec son écran dirigé vers le bas sur une surface plate et stable recouverte d'une chiffon épais et doux lors de la dépose du support de table du téléviseur pour éviter d'endommager l'écran LCD.

2 Fixez le support de fixation murale (non fourni) à l'aide des vis (non fournies).

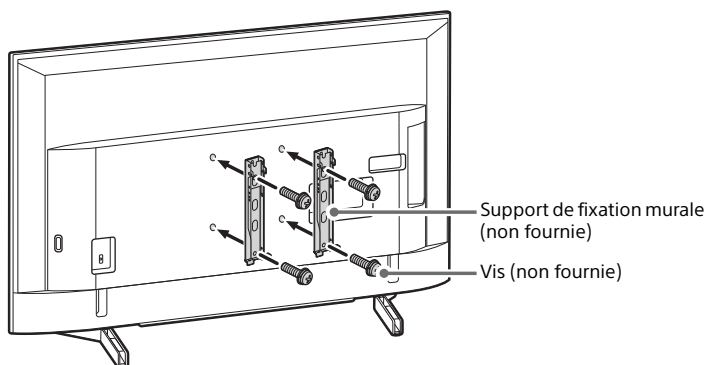


Remarque

- Si vous utilisez une visseuse électrique, réglez le couple à environ 1,5 N-m {15 kgf-cm}.

XBR-55X800G uniquement

- 1 Fixez le support de fixation murale (non fourni) à l'aide des vis (non fournies).

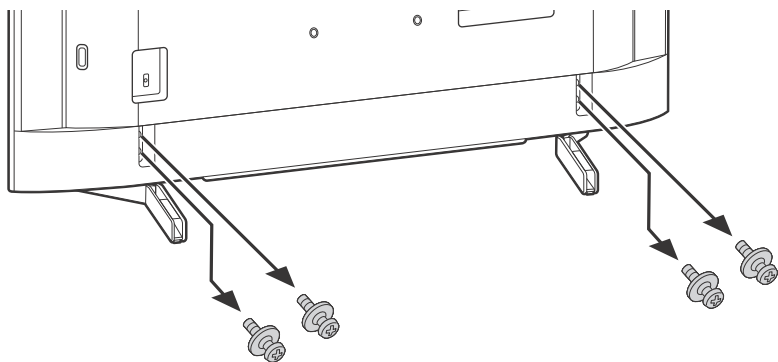


Remarque

- Si vous utilisez une visseuse électrique, réglez le couple à environ 1,5 N-m {15 kgf·cm}.

- 2 Démontez le support de table du téléviseur.

Démontez le support de table du téléviseur en retirant d'abord les vis.

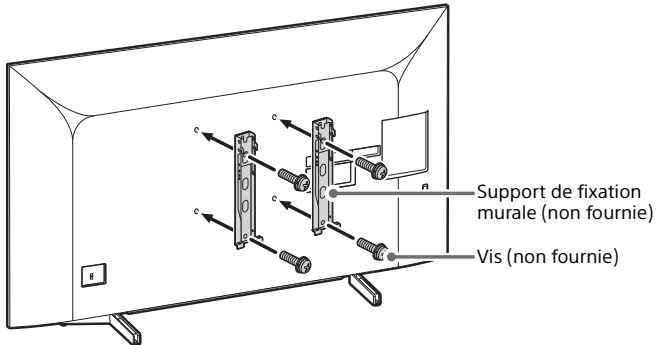


Remarque

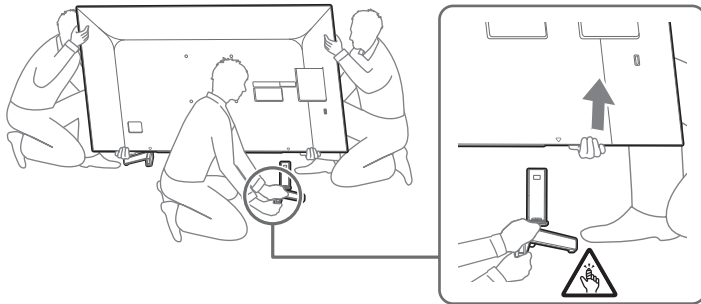
- N'enlevez pas le support de table pour aucune raison autre que l'installation des accessoires correspondants sur le téléviseur.
- Assurez-vous que le téléviseur est en position verticale avant de l'allumer. Pour éviter des irrégularités de l'uniformité de l'image, ne pas allumer le téléviseur avec l'écran ACL vers le bas.
- Pour fixer de nouveau le support de table, veillez à utiliser les vis (que vous avez enlevées précédemment) dans les mêmes orifices à l'arrière du téléviseur.

XBR-75/65X800G uniquement

- 1 Fixez le support de fixation murale (non fourni) à l'aide des vis (non fournies).



- 2 Retirez un seul côté du support de table à la fois. Maintenez fermement le support de table avec les deux mains pendant que l'autre personne soulève le téléviseur.



- 3 Répétez les étapes précédentes et retirez l'autre côté du support de table.

Remarque

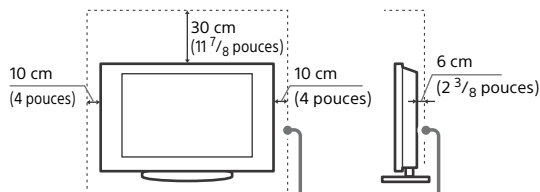
- Trois personnes ou plus sont nécessaires pour démonter le support de table.
- Veillez à ne pas utiliser une force excessive pour démonter le support de table du téléviseur, car le téléviseur pourrait tomber et provoquer des blessures ou endommager le téléviseur.
- Lors de la manipulation du support de table, prenez soin d'éviter d'endommager le téléviseur.
- Soulevez le téléviseur avec prudence, car le support de table qui se démonte pourrait basculer et provoquer des blessures.
- Lors du retrait du support de table du téléviseur, prenez soin d'éviter de le faire tomber et d'endommager la surface sur laquelle est posé le téléviseur.
- N'enlevez pas le support de table pour aucune raison autre que l'installation des accessoires correspondants sur le téléviseur.
- Assurez-vous que le téléviseur est en position verticale avant de l'allumer. Pour éviter des irrégularités de l'uniformité de l'image, ne pas allumer le téléviseur avec l'écran ACL vers le bas.

Installation du téléviseur contre un mur ou dans un endroit fermé

Ventilation

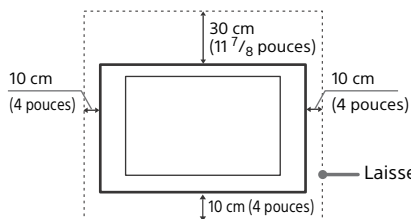
- Ne couvrez jamais les orifices de ventilation, ni insérez aucun objet à l'intérieur de la carcasse du téléviseur.
- Laissez un espace suffisant autour du téléviseur comme indiqué ci-dessous.

Installation sur support



Laissez au moins cet espace autour du téléviseur.

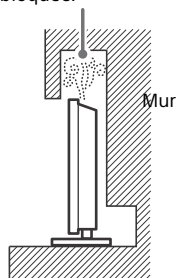
Installation au mur



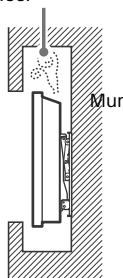
Laissez au moins cet espace autour du téléviseur.

N'installez jamais le téléviseur de la manière suivante :

La circulation d'air est bloquée.



La circulation d'air est bloquée.



Remarque

- Une ventilation inadéquate peut surchauffer le téléviseur et causer des dommages ou déclencher un incendie.

Dépannage

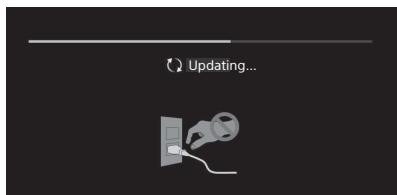
En cas de problèmes tels que : écran noir, aucun son, image figée, aucune réponse du téléviseur ou réseau perdu, suivez les étapes suivantes du dépannage général.

- 1 Redémarrez votre téléviseur en appuyant sur la touche de marche de la télécommande jusqu'à ce qu'un message s'affiche. Le téléviseur redémarrera. Si le problème persiste, débranchez le cordon d'alimentation CA. Appuyez ensuite sur le bouton d'alimentation du téléviseur et patientez deux minutes, puis branchez le cordon d'alimentation CA.
- 2 Reportez-vous au menu Aide en appuyant sur la touche **HELP** de la télécommande.
- 3 Connectez votre téléviseur à Internet et effectuez une mise à jour logicielle. Sony vous recommande de maintenir à jour le logiciel de votre téléviseur. Les mises à jour logicielles permettent d'ajouter de nouvelles fonctions et d'améliorer les performances.
- 4 Consultez le site Web d'assistance de Sony (coordonnées indiquées sur la couverture de ce manuel).
- 5 Effectuez un rétablissement de la configuration par défaut. Reportez-vous à la rubrique « Comment réinitialiser le téléviseur à ses réglages d'usine » (page 19).

Le message [Un nouveau logiciel pour le système de la télé est disponible...] s'affiche.

Sony vous recommande vivement de mettre à jour le logiciel du téléviseur en sélectionnant [Mettre à niveau]. Ces mises à jour logicielles améliorent les performances de votre téléviseur ou ajoutent de nouvelles fonctions.

L'écran suivant avec la mention [Updating...] (Mise à jour...) apparaît et la DEL d'éclairage clignote en blanc pendant la mise à jour du logiciel.



Ne débranchez pas le cordon d'alimentation CA pendant la mise à jour du logiciel. Sinon, la mise à jour du logiciel pourrait ne pas s'effectuer complètement, ce qui risquerait de causer un problème de fonctionnement du téléviseur. Les mises à jour du logiciel peuvent prendre jusqu'à 15 minutes.

Lorsque vous branchez le téléviseur, il est possible que vous ne puissiez pas allumer le téléviseur immédiatement même si vous appuyez sur la touche de marche de la télécommande ou du téléviseur.

L'initialisation du système prend du temps. Attendez environ 1 minute, puis utilisez-le normalement.

Comment réinitialiser le téléviseur à ses réglages d'usine

AVERTISSEMENT : la réinitialisation effacera tous vos réglages personnalisés, y compris le contrôle parental.

- Allumez le téléviseur. Vous pouvez réinitialiser le téléviseur aux réglages d'usine en appuyant sur **HOME**, puis en sélectionnant [Paramètres] → [Stockage et réinitialisation] → [Rétablir config. par défaut].
- Pour forcer le rétablissement de la configuration par défaut, débranchez le cordon d'alimentation CA. Appuyez simultanément sur les touches \odot et $-$ du téléviseur en les maintenant enfoncées, puis branchez le cordon d'alimentation CA. Relâchez les touches lorsque la DEL d'éclairage clignote en vert.

- Pour plus de sécurité, assurez-vous d'effacer toutes les données à caractère personnel et informations relatives à votre compte avant de vous défaire de votre téléviseur ou de le vendre à un tiers, en procédant à la désynchronisation/désinscription, déconnexion et désactivation de tous les services de réseau et en rétablissant les paramètres d'usine du téléviseur.

Problèmes et solutions

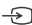

La DEL d'éclairage clignote en rouge.

- Comptez le nombre de clignotements (un intervalle de trois secondes entre les clignotements). Redémarrez le téléviseur en débranchant le cordon d'alimentation CA du téléviseur jusqu'à ce que la DEL d'éclairage arrête de clignoter en rouge, puis allumez le téléviseur. Si le problème persiste, débranchez le cordon d'alimentation CA, puis contactez le service à la clientèle de Sony (coordonnées indiquées sur la couverture de ce manuel) en indiquant le nombre de fois que la DEL d'éclairage clignote.



Il n'y aucune image (l'écran est noir) et aucun son.

- Vérifiez la connexion de câble/antenne.
- Branchez le téléviseur à l'alimentation CA, puis appuyez sur la touche de marche du téléviseur ou de la télécommande.

Aucune couleur ou couleur irrégulière lors de l'affichage de l'entrée vidéo de la prise VIDEO de / .

- Assurez-vous que l'adaptateur composantes à minifiches (EC) n'est pas connecté à la prise PbPr.
- Vérifiez la connexion de la prise VIDEO de  /  et vérifiez si le câble est solidement inséré dans sa prise respective.

Aucune couleur ou couleur irrégulière lors de l'affichage de l'entrée par les prises composantes Y, Pb, Pr de / .

- Assurez-vous que l'adaptateur composantes à minifiches (EC) est connecté à la prise PbPr.
- Vérifiez la connexion des prises Y, Pb, Pr de  /  et vérifiez si les câbles sont solidement insérés sur leurs prises respectives.

Impossible de syntoniser certaines émissions.

- Vérifiez la connexion de câble/antenne.

La télécommande ne fonctionne pas.

- Remplacez les piles.

La touche STB MENU de la télécommande ne fonctionne pas.

- Vérifiez la connexion et configurez l'IR Blaster (page 13).

Vous avez oublié le mot de passe du contrôle parental.

- Entrez 4357 comme NIP, puis entrez le nouveau NIP.

Vous avez oublié le mot de passe du profil d'utilisateur restreint.

- Effectuez un rétablissement forcé de la configuration par défaut. Reportez-vous à la rubrique « Comment réinitialiser le téléviseur à ses réglages d'usine » (page 19).

Le téléviseur et les objets qui l'entourent deviennent chauds au toucher.

- Lorsque le téléviseur est utilisé pendant une longue période, le téléviseur et les objets qui l'entourent peuvent devenir chauds au toucher. Il ne s'agit pas d'un problème de fonctionnement du téléviseur.

Spécifications

Système

Système de télévision

NTSC : Norme de télévision en Amérique
ATSC (8VSB terrestre) : 8VSB conforme avec ATSC
QAM sur le câble : ANSI/SCTE 07 2000
(n'inclut pas la fonctionnalité CableCARD)

Plages de canaux

Analogique terrestre : 2 - 69 / Numérique terrestre : 2 - 69
Câble analogique : 1 - 135 / Câble numérique : 1 - 135

Système de l'écran

Écran ACL (affichage à cristaux liquides),
Rétroéclairage DEL

Puissance des haut-parleurs

10 W + 10 W

Technologie sans fil

Protocole IEEE802.11ac/a/b/g/n
Bluetooth version 4.1

Connecteurs d'entrée et de sortie

CABLE/ANTENNA

Borne extérieure de 75 ohms pour entrées RF

COMPONENT IN

YPbPr (vidéo composante) : 1 080p (60 Hz),
1 080i (60 Hz), 720p (60 Hz), 480p, 480i
Entrée Audio (prise phono)

VIDEO IN

Entrée Vidéo (tige phono commune avec
entrée Y)

HDMI IN 1/2/3/4 (Prend en charge la résolution 4K, compatible HDCP 2.3)

Vidéo :

4 096 × 2 160p (60 Hz)*1*2, 4 096 × 2 160p
(24 Hz)*1, 3 840 × 2 160p (60 Hz)*2, 3 840 ×
2 160p (24, 30 Hz), 1 080p (30, 60 Hz),
1 080i/24p, 1 080i (60 Hz), 720p (30, 60 Hz),
720i/24p, 480p, 480i, formats Ordinateur*3

Audio :

5,1 canaux linéaires PCM : 32/44,1/48/88,2/
96/176,4/192 kHz 16/20/24 bits, Dolby
Digital, Dolby Digital Plus et DTS

ARC (Audio Return Channel) (HDMI IN 3 seulement)

(Deux canaux linéaires PCM : 48 kHz 16 bits,
Dolby Digital, Dolby Digital Plus, DTS)

DIGITAL AUDIO OUT (OPTICAL)

Prise optique numérique (Deux canaux
linéaires PCM : 48 kHz 16 bits, Dolby Digital,
DTS)

AUDIO OUT (mini-prise stéréo)

Écouteur, Sortie audio, Infragrave

1, 2, 3

Les ports USB 1 et 2 prennent en charge la
connectivité USB haute vitesse (USB 2.0).

Le port USB 3 prend en charge la connectivité
USB super vitesse (USB 3.1 Gen 1).

LAN

Connecteur 10BASE-T/100BASE-TX (Selon
l'environnement de fonctionnement du
réseau, la vitesse de connexion peut varier.
Le débit et la qualité de communication ne
sont pas garantis.)

Reportez-vous au Manuel d'aide pour
connaître les fichiers et formats pris en
charge dans le réseau domestique.

DC IN 19.5 V (XBR-49/43X800G uniquement)

Entrée adaptateur CA

REMOTE

Mini-prise RS-232C, mini-prise IR IN

Ces prises permettent de recevoir le signal
de commande externe.

IR BLASTER

Entrée du câble IR Blaster (mini-prise)

Autres

Température de service

0 °C - 40 °C (32 °F - 104 °F)

Alimentation et autres

Alimentation

Sauf modèle avec adaptateur CA fourni
110 V - 240 V CA, 50/60 Hz (États-Unis/
Canada 120 V CA, 60 Hz)

Modèles avec adaptateur CA fourni
uniquement

19,5 V CC avec adaptateur CA

(XBR-49/43X800G uniquement)

Caractéristiques nominales : 110 V - 240 V
CA, 50/60 Hz (États-Unis/Canada 120 V CA,
60 Hz)

Consommation d'énergie

en cours d'utilisation

XBR-75X800G: 284 W

XBR-65X800G: 247 W

XBR-55X800G: 184 W

XBR-49X800G: 107 W

XBR-43X800G: 100 W

en veille*4*5

Moins de 0,5 W pour les modèles 120 V CA et
moins de 0,5 W pour les modèles 240 V CA

Taille de l'écran (mesurée en diagonale)
(Environ)

XBR-75X800G: 74,5 pouces (classe 75")
XBR-65X800G: 64,5 pouces (classe 65")
XBR-55X800G: 54,6 pouces (classe 55")
XBR-49X800G: 48,5 pouces (classe 49")
XBR-43X800G: 42,5 pouces (classe 43")

Résolution de l'écran

3 840 points (horizontal) × 2 160 lignes
(vertical)

Puissance de sortie

USB 1/2

5 V $\overline{\text{---}}$, 500 mA MAX

USB 3

5 V $\overline{\text{---}}$, 900 mA MAX

Dimensions (Environ)

avec support

XBR-75X800G: 1 686 × 1 034 × 402 mm /
66 $\frac{1}{2}$ × 40 $\frac{3}{4}$ × 15 $\frac{7}{8}$ pouces
XBR-65X800G: 1 463 × 909 × 336 mm /
57 $\frac{5}{8}$ × 35 $\frac{7}{8}$ × 13 $\frac{1}{4}$ pouces
XBR-55X800G: 1 241 × 785 × 336 mm /
48 $\frac{7}{8}$ × 31 × 13 $\frac{1}{4}$ pouces
XBR-49X800G: 1 101 × 704 × 260 mm /
43 $\frac{3}{8}$ × 27 $\frac{3}{4}$ × 10 $\frac{1}{4}$ pouces
XBR-43X800G: 970 × 630 × 260 mm /
38 $\frac{1}{4}$ × 24 $\frac{7}{8}$ × 10 $\frac{1}{4}$ pouces

sans support

XBR-75X800G: 1 686 × 970 × 80 mm /
66 $\frac{1}{2}$ × 38 $\frac{1}{4}$ × 3 $\frac{1}{4}$ pouces
XBR-65X800G: 1 463 × 845 × 80 mm /
57 $\frac{5}{8}$ × 33 $\frac{3}{8}$ × 3 $\frac{1}{4}$ pouces
XBR-55X800G: 1 241 × 721 × 79 mm /
48 $\frac{7}{8}$ × 28 $\frac{1}{2}$ × 3 $\frac{1}{8}$ pouces
XBR-49X800G: 1 101 × 645 × 57 mm /
43 $\frac{3}{8}$ × 25 $\frac{1}{2}$ × 2 $\frac{1}{4}$ pouces
XBR-43X800G: 970 × 570 × 57 mm /
38 $\frac{1}{4}$ × 22 $\frac{1}{2}$ × 2 $\frac{1}{4}$ pouces

schéma des trous pour la fixation murale

XBR-75X800G: 300 × 300 mm
XBR-65X800G: 300 × 300 mm
XBR-55X800G: 200 × 200 mm
XBR-49X800G: 200 × 200 mm
XBR-43X800G: 100 × 200 mm

taille des vis de fixation murale (mm)

M6 (longueur : reportez-vous au schéma de
la page 14.)

Poids (Environ)

avec support

XBR-75X800G: 32,5 kg / 71,6 lb.
XBR-65X800G: 22,0 kg / 48,5 lb.
XBR-55X800G: 17,2 kg / 37,9 lb.
XBR-49X800G: 12,4 kg / 27,4 lb.
XBR-43X800G: 10,2 kg / 22,5 lb.

sans support

XBR-75X800G: 30,7 kg / 67,7 lb.
XBR-65X800G: 20,9 kg / 46,1 lb.
XBR-55X800G: 16,1 kg / 35,5 lb.
XBR-49X800G: 11,8 kg / 26,0 lb.
XBR-43X800G: 9,6 kg / 21,2 lb.

- *1 Si la valeur d'entrée est 4 096 × 2 160p et que [Mode cinéma] est réglé sur [Normal], la résolution s'affiche à 3 840 × 2 160p. Pour afficher au format 4 096 × 2 160p, réglez le paramètre [Mode cinéma] sur [Plein écran 1] ou [Plein écran 2].
- *2 HDMI IN 2/3 uniquement. Pour la prise en charge de 18 Gbps, réglez [Format du signal HDMI] sur [Format amélioré].
- *3 Reportez-vous au Manuel d'aide pour connaître les détails.
- *4 La consommation d'énergie en mode de veille est obtenue lorsque les processus internes nécessaires du téléviseur sont terminés.
- *5 La consommation d'énergie en mode de veille augmente lorsque votre téléviseur est connecté au réseau.

Remarque

- La disponibilité des accessoires en option dépend des régions/pays/modèles de téléviseurs/stocks.
- La conception des produits et les caractéristiques techniques peuvent changer sans préavis.
- Des abonnements aux services et applications peuvent être nécessaires et des conditions et/ou frais supplémentaires peuvent s'appliquer lors de l'utilisation de l'Assistant Google.

Information de licence

- Les termes HDMI et HDMI High-Definition Multimedia Interface, de même que le logo HDMI sont des marques commerciales ou des marques déposées de HDMI Licensing Administrator, Inc. aux États-Unis et dans d'autres pays.
- Fabriqué sous licence de Dolby Laboratories. Dolby, Dolby Audio et le symbole double-D sont des marques de commerce de Dolby Laboratories.
- « BRAVIA », BRAVIA et BRAVIA Sync sont des marques de commerce ou des marques déposées de Sony Corporation.
- Gracenote, le logo Gracenote et la mention « Powered by Gracenote » sont des marques de commerce ou des marques déposées de Gracenote, Inc. aux États-Unis et/ou dans d'autres pays.

- Vewd® Core. Copyright 1995-2019 Vewd Software AS. Tous droits réservés.
- Google, Google Play, Chromecast, YouTube, Android TV et les autres marques et logos associés sont des marques de commerce de Google LLC.
- Wi-Fi®, Wi-Fi Alliance®, Wi-Fi Direct® et Miracast® sont des marques déposées de la Wi-Fi Alliance.
- Le logo Wi-Fi CERTIFIED™ est une marque de certification de la Wi-Fi Alliance.
- Pour les brevets DTS, voir <http://patents.dts.com>. Fabriqué sous licence de DTS, Inc. DTS, le symbole, et DTS et son symbole ensemble sont des marques déposées, et DTS Digital Surround est une marque déposée de DTS, Inc. © DTS, Inc. Tous droits réservés.
- Le symbole et les logos Bluetooth® sont des marques déposées de Bluetooth SIG, Inc. ; toute utilisation de ces marques par Sony Corporation est soumise à une licence. Les autres marques déposées et appellations commerciales sont la propriété de leurs détenteurs respectifs.
- Netflix est une marque déposée de Netflix, Inc.
- TUXERA est une marque déposée de Tuxera Inc. aux États-Unis et dans d'autres pays.
- Le logo USB-IF SuperSpeed USB Trident est une marque déposée d'USB Implementers Forum, Inc. 
- Toutes les autres marques commerciales sont la propriété de leurs détenteurs respectifs.



For Your Convenience

| | |
|-----------------------------|--|
| Online Registration: | Be sure to register your TV. United States http://productregistration.sony.com Canada http://www.sony.ca/registration |
| Software Updates: | Your TV is capable of receiving software updates. For the latest information about software updates for your TV, visit: United States http://www.sony.com/tvsupport Canada http://www.sony.ca/support NOTE: If your TV is connected to the Internet, you can check for software updates by pressing HELP , and select [System software update]. |

Pour votre commodité

| | |
|----------------------------------|--|
| Enregistrement en ligne : | Faire en sorte de compléter l'enregistrement de votre téléviseur. Canada http://www.sony.ca/registration États-Unis http://productregistration.sony.com |
| Mise à jour du logiciel : | Votre téléviseur est en mesure de recevoir des mises à jour logicielles. Pour obtenir les renseignements les plus à jour sur les mises à jour du logiciel de votre téléviseur, visitez : Canada http://www.sony.ca/support États-Unis http://www.sony.com/tvsupport REMARQUE : Si votre téléviseur est connecté à Internet, vous pouvez vérifier les mises à jour logicielles en appuyant sur HELP et en sélectionnant [Mise à jour du logiciel]. |

?



Help Guide
Manuel d'aide

http://rd1.sony.net/help/tv/gusltn1/h_usltn/